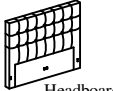

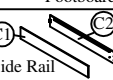
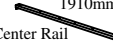
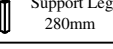
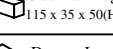



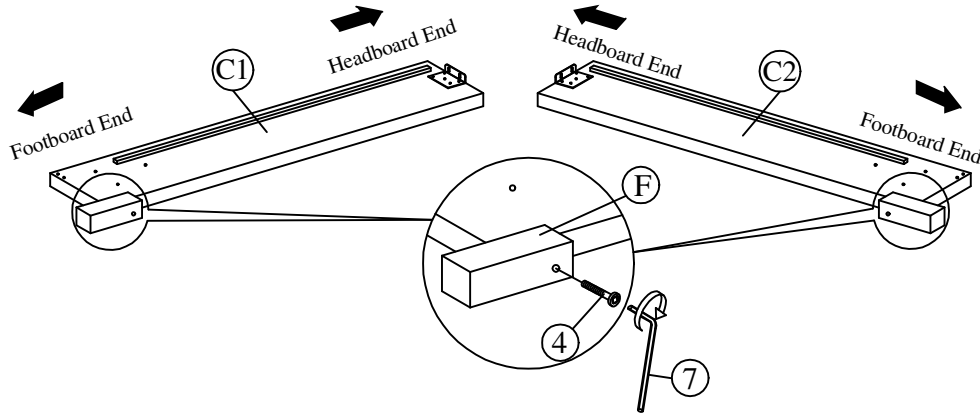


MODEL : CF 9408-N (4'6")

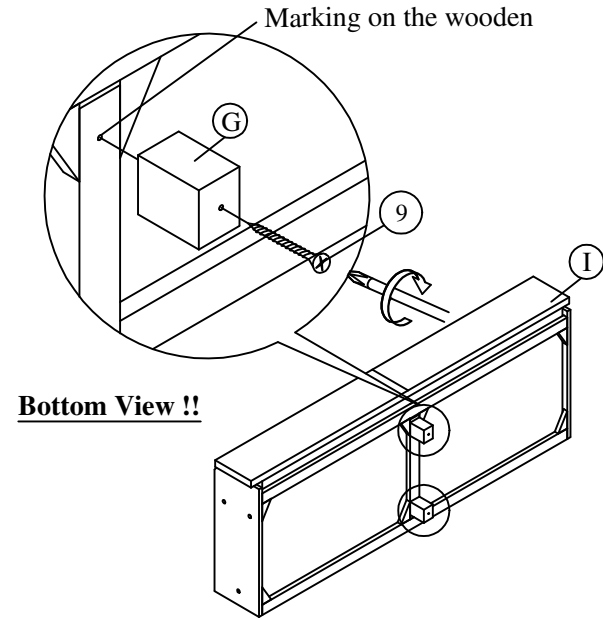
# ASSEMBLY INSTRUCTION

A		1 pc
B		1 pc
C		2 pcs
D		1 pc
E		2 pcs
F		2 pcs
G		2 pcs
H		1 pc
I		1 pc

## Step 1

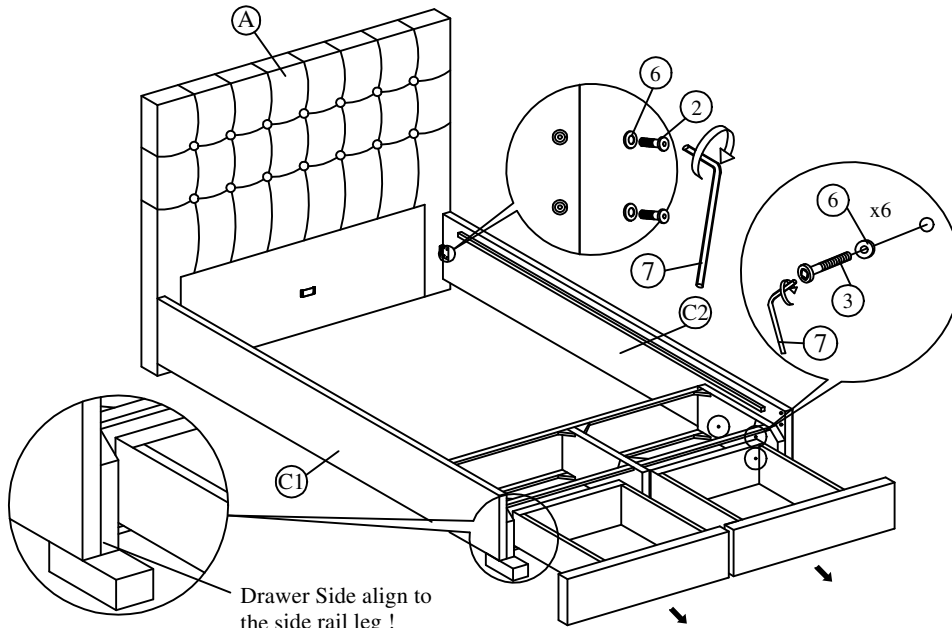


## Step 2

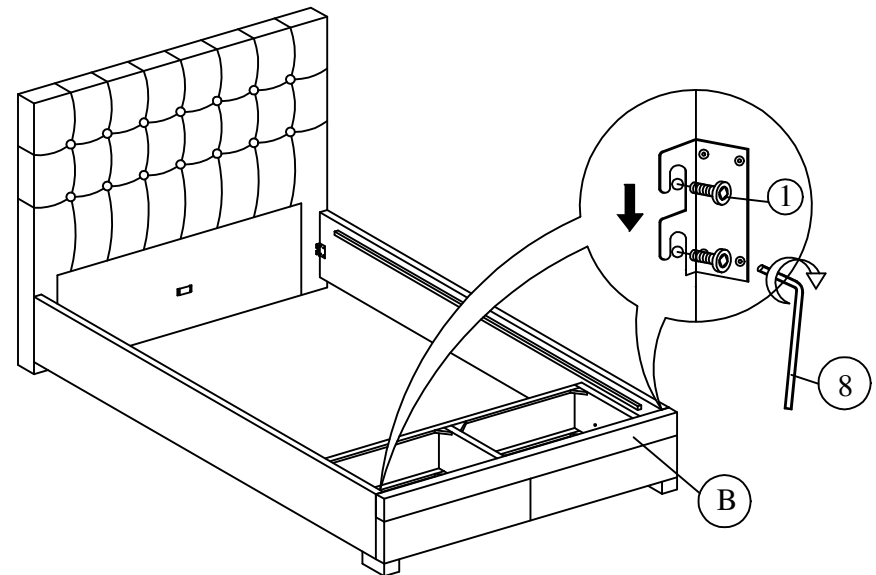


## Step 3



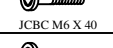


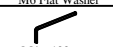

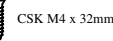

- 3.1 Open the drawer out till its built-in stopping point
- 3.2 Put the drawer frame on the side rail leg. Make sure the drawer side align to the side rail end.
- 3.3 Attach the drawer frame to the side rails by using the JCBC and Flat Washers.



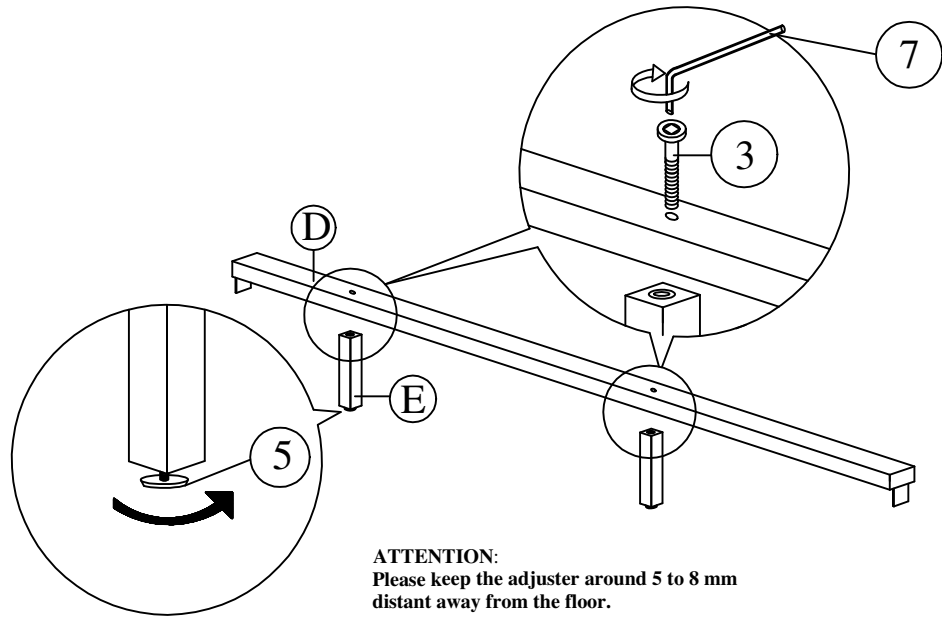
## Step 4



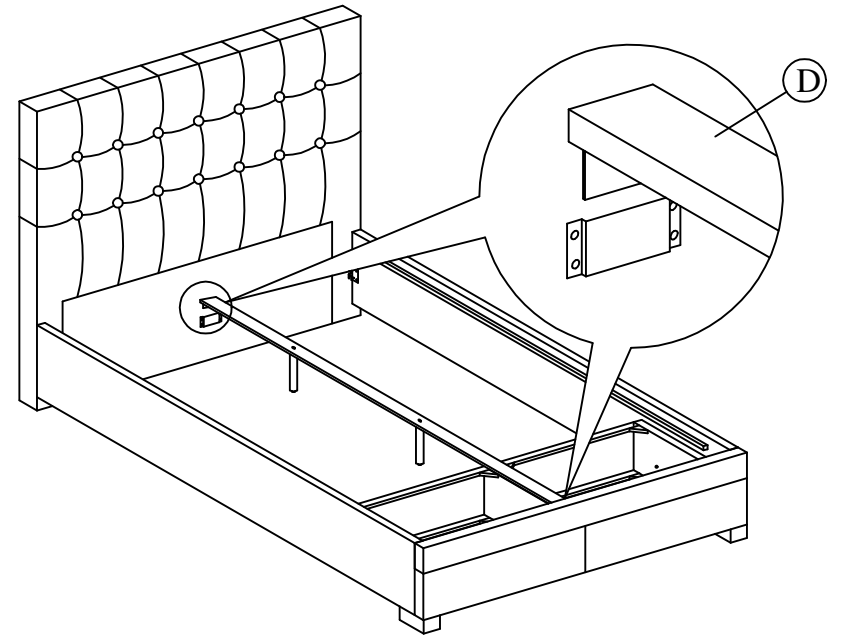
### HARDWARE

1		4 pcs
2		4 pcs
3		8 pcs
4		2 pcs
5		2 pcs
6		10 pcs
7		1 pc
8		1 pc
9		35 pcs

### Step 5



### Step 6



### Step 7

