

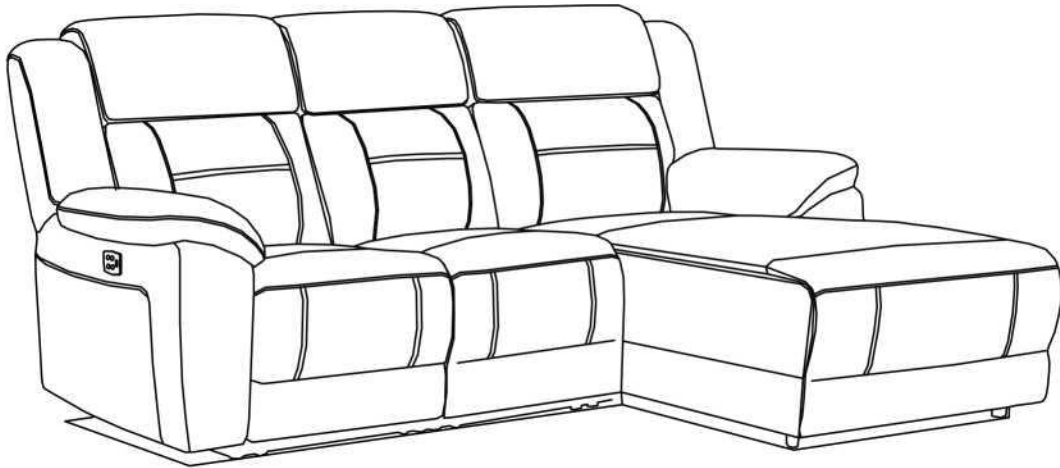


## Assembly Instruction

Item Code: Venus (7882)




Imported By JCI Global

Building 3 west,605 Zillmere Rd,Aspley QLD 4035



## L1E+A1E-E Station+RECH

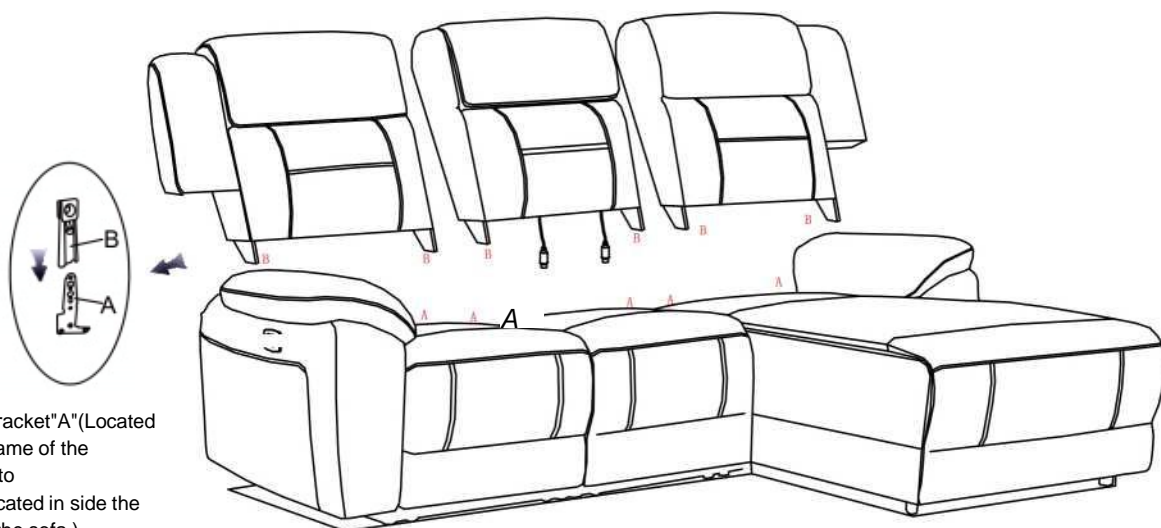
### Power packs

L1E+A1E-E Station+RECH			
A		Transformer	1PCS
B		Power Line	1PCS
C		Y Cables	2PCS

### BEFORE YOU START...

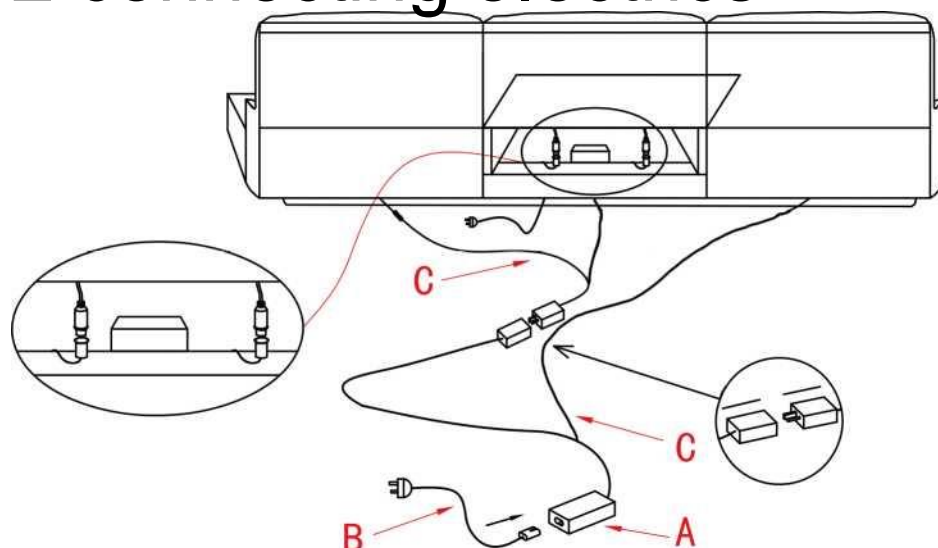
1. Choose a clean, level, spacious assembly area. Avoid hard surfaces that may damage the product.
2. Check and ensure that you have all required contents for complete assembly.
3. Always read the assembly instructions carefully before beginning assembly.
4. The packaging and contents can be a choking hazard, therefore keep out of reach of small children at all times.

# Step 1 putting backs on



please note: Bracket "A" (Located on the back frame of the sofa) inserts into bracket "B" (Located in side the seat frame of the sofa )

# Step 2 connecting electrics



# Step 3 assembly complete

