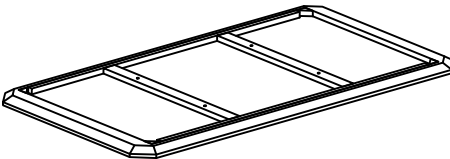
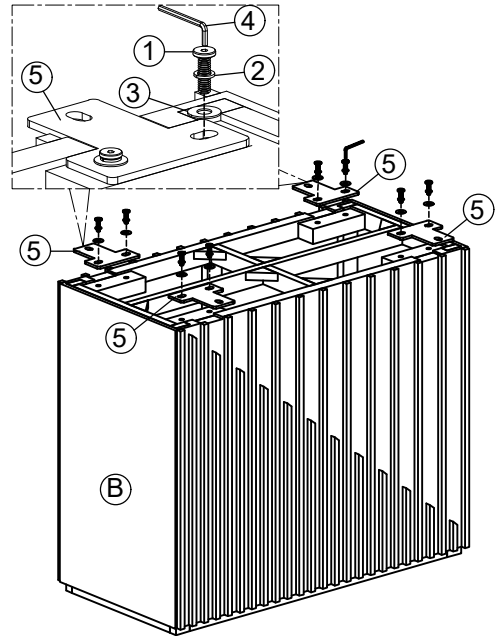
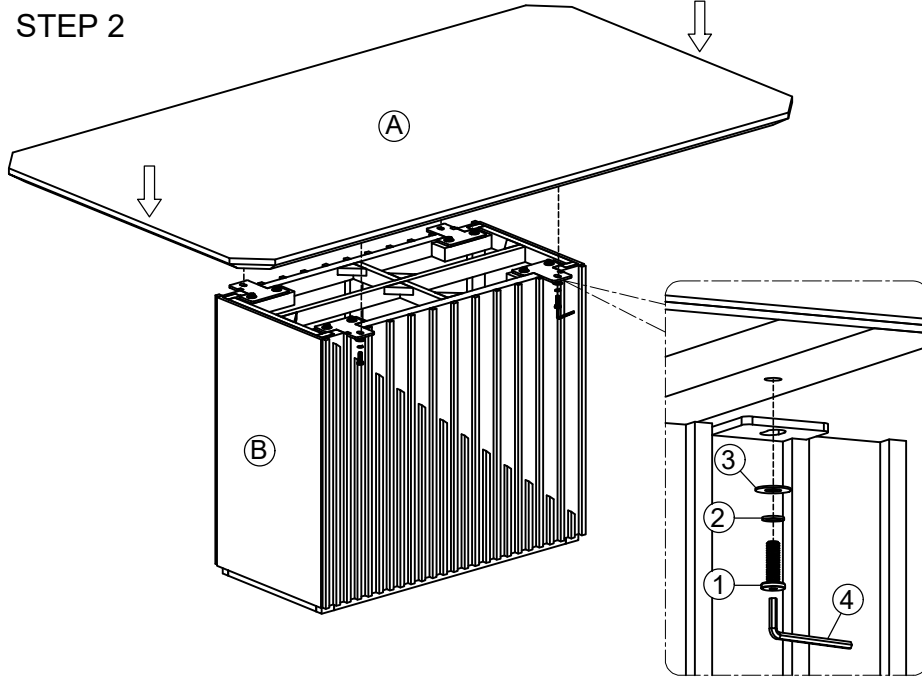
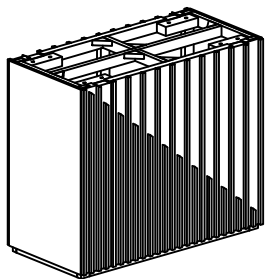
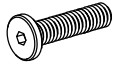






ASSEMBLY INSTRUCTION

DINING TABLE 1800

No	PARTS NAME	Q.ty (pcs)	STEP 1	STEP 2
A	 Top	1		
B	 Base	1		

No	LIST OF HARDWARE	Q.ty (pcs)
①	Bolts M8x25 	12
②	Spring Washers 	12
③	Flat Washers 	12
④	Allen key K4 	1
⑤	Metal plate 	4

