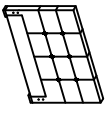








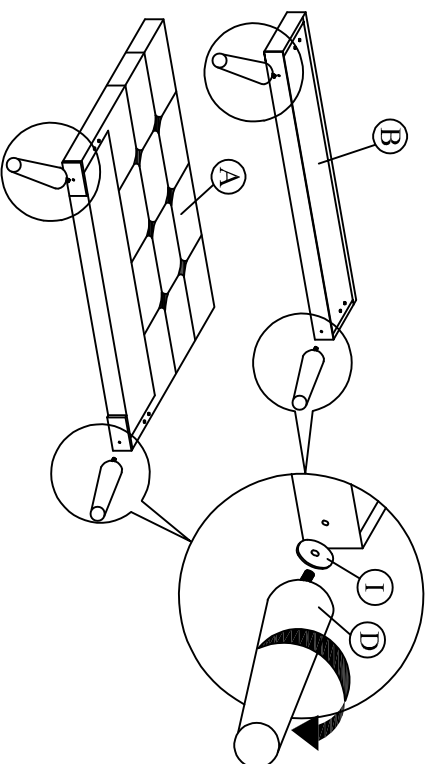


ASSEMBLY INSTRUCTION

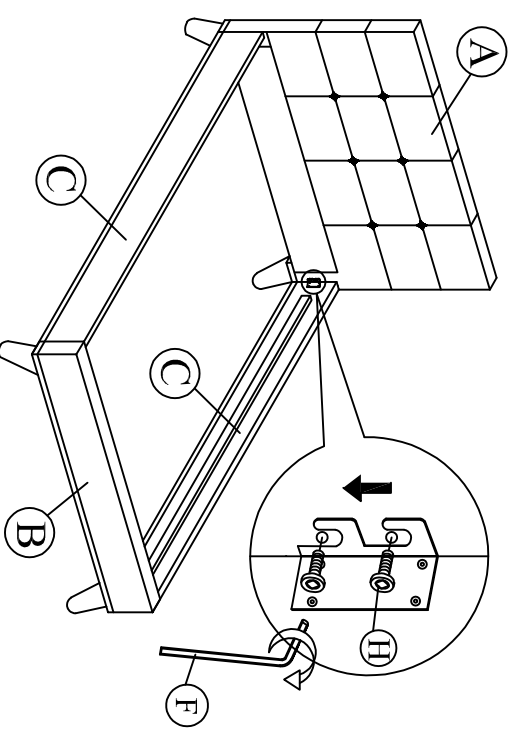
MODEL : CF 9316-A (3'6")

A		1 pc
B		1 pc
C		2 pcs
D	 68 x 43 x 150(H)	4 pcs
E	 1067mm	1 pc
F	 M5 x 70 mm	1 pc
G		32 pcs
H		8 pcs
I		4 pcs

Step 1 : Install the legs (D) to footboard (B) and headboard (A). Tighten the legs.



Step 2 : Attach side rail (C) to footboard (B) first follow by headboard (A) by pushing the bracket down to fit it.



Step 3 : Affix the Slat (E) to the side rail support wood. Tighten all the 4 corner.

