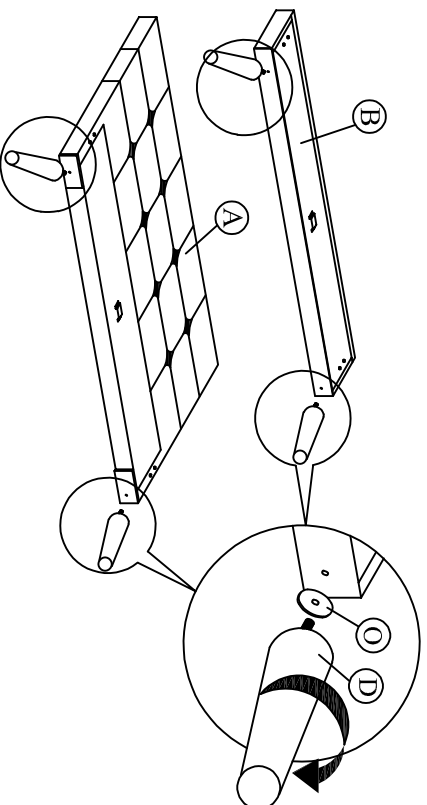


# ASSEMBLY INSTRUCTION

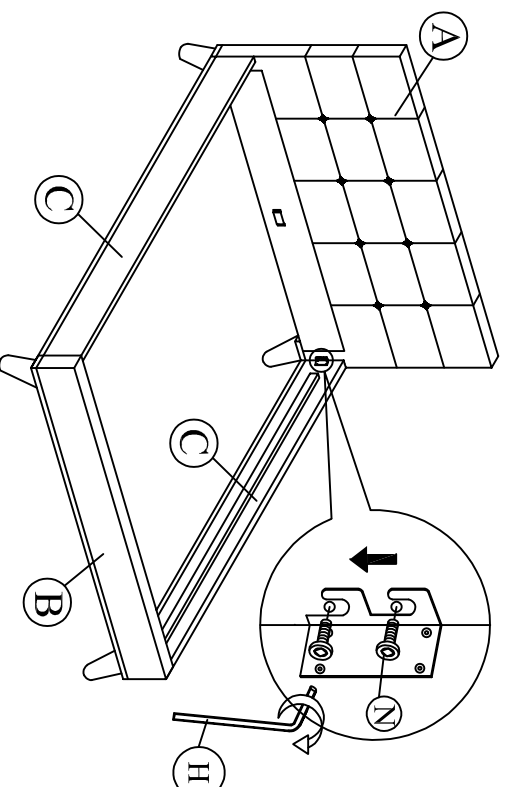
MODEL : CF 9316-A (4'6")

A	Headboard	1 pc
B	Footboard	1 pc
C	Side Rail	2 pcs
D	Legs 68 x 43 x 150(H)	4 pcs
E	Center Rail 1930mm	1 pc
F	Support Leg 265mm	2 pcs
G	JCBC M6 X 40	2 pcs
H	M5 x 70 mm	1 pc
I	M4 x 65 mm	1 pc
J	CSK M4 x 25mm	2 pcs
K	CSK M4 x 32mm	33 pcs
L	15 Pos Slat 1397mm	1 pc
M	Small Adjuster	2 pcs
N	JCBB M8 X 20	8 pcs
O	NO. 35 Washer	4 pcs

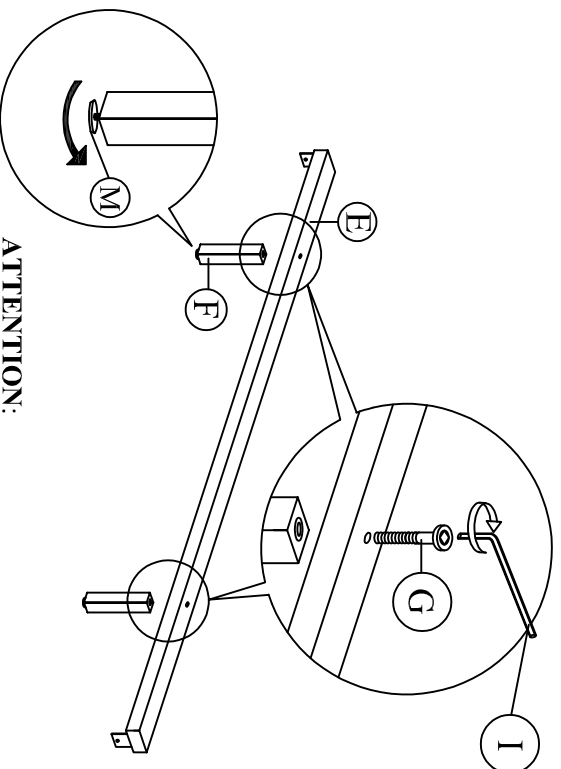
Step 1 : Install the legs (D) to footboard (B) and headboard (A). Tighten the legs.



Step 2 : Attach side rail (C) to footboard (B) first follow by headboard (A) by pushing the bracket down to fit it.

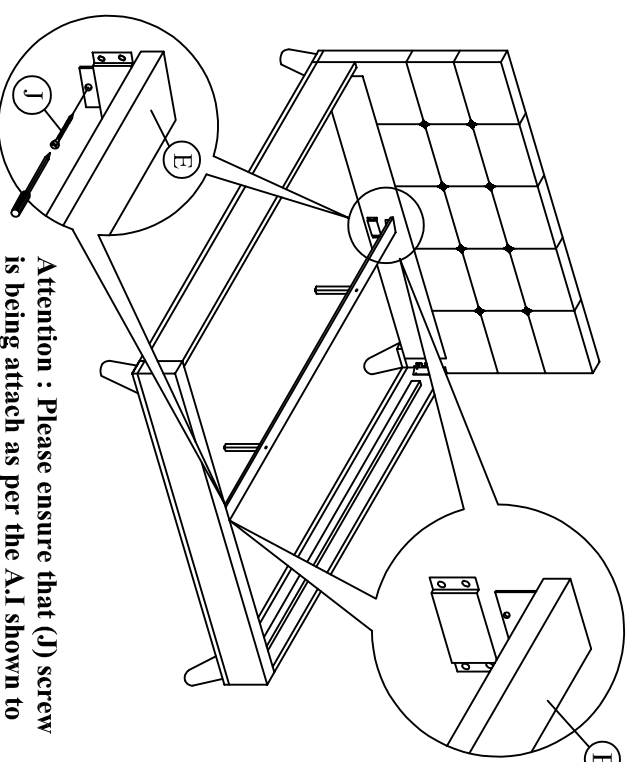


Step 3 : Attach the support legs (F) to the center rail (E) of the bed as shown.



**ATTENTION:**  
Please keep the adjuster around 5 to 8 mm distant away from the floor.

Step 4 : Slide the center rail (E) to the headboard (A) and footboard (B). Tighten screws (J) using screw driver (not included) to the headboard (A) and footboard (B).



**Attention :** Please ensure that (J) screw is being attach as per the A.I shown to avoid base being collapse.

Step 5 : Affix the Slat (L) to the center rail (E) and side rail support wood. Tighten all the 4 corner.

