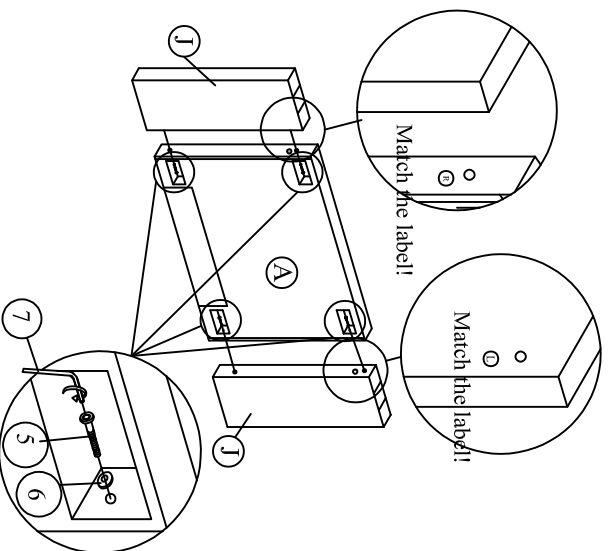


A	Headboard	1 pc
B	Footboard	1 pc
C	Side Rail 2060mm	2 pcs
D	Center Rail 280mm	1 pc
E	Support Leg 280mm	2 pcs
F	Side Rail Leg 115 x 70 x 50(H)	2 pcs
G	Drawer Leg 35 x 45 x 50mm	2 pcs
H	1545mm 16 Slit	1 pc

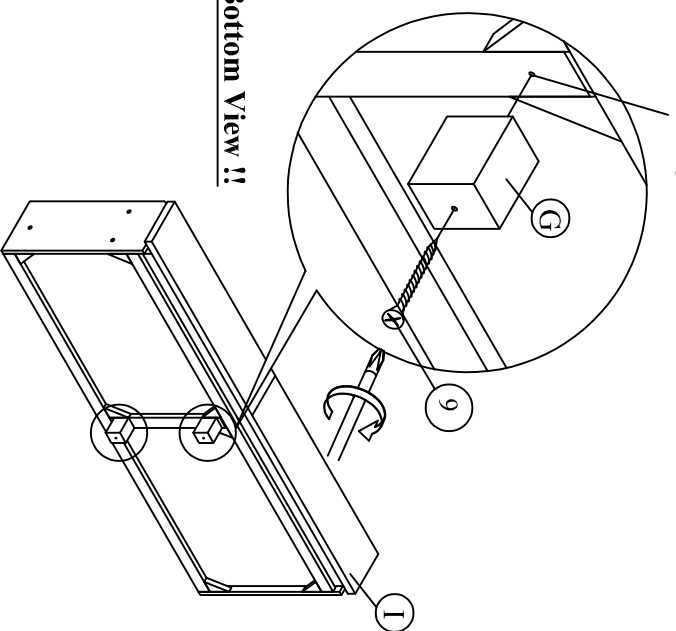
I	Footboard Drawer Side Wing	1 pc
J	Side Wing	2 pcs

HARDWARE		
1	JCBB M8 X 20	4 pcs
2	JCBB M6 X 30	4 pcs
3	JCBC M6 X 40	8 pcs
4	JCBC M6 X 50	2 pcs
5	JCBC M6 X 60	4 pcs
6	M6 Flat Washer	14 pcs
7	M4 x 10mm	1 pc
8	M5 x 70mm	1 pc
9	CSK M4 x 32mm	37 pcs
10	Small Adjuster	2 pcs

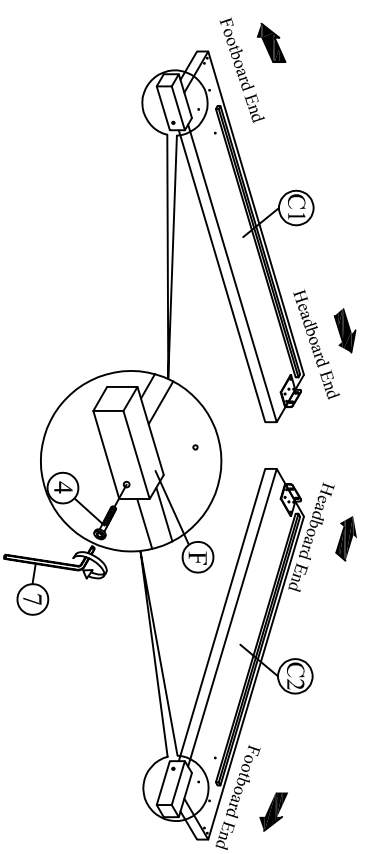
Step 1



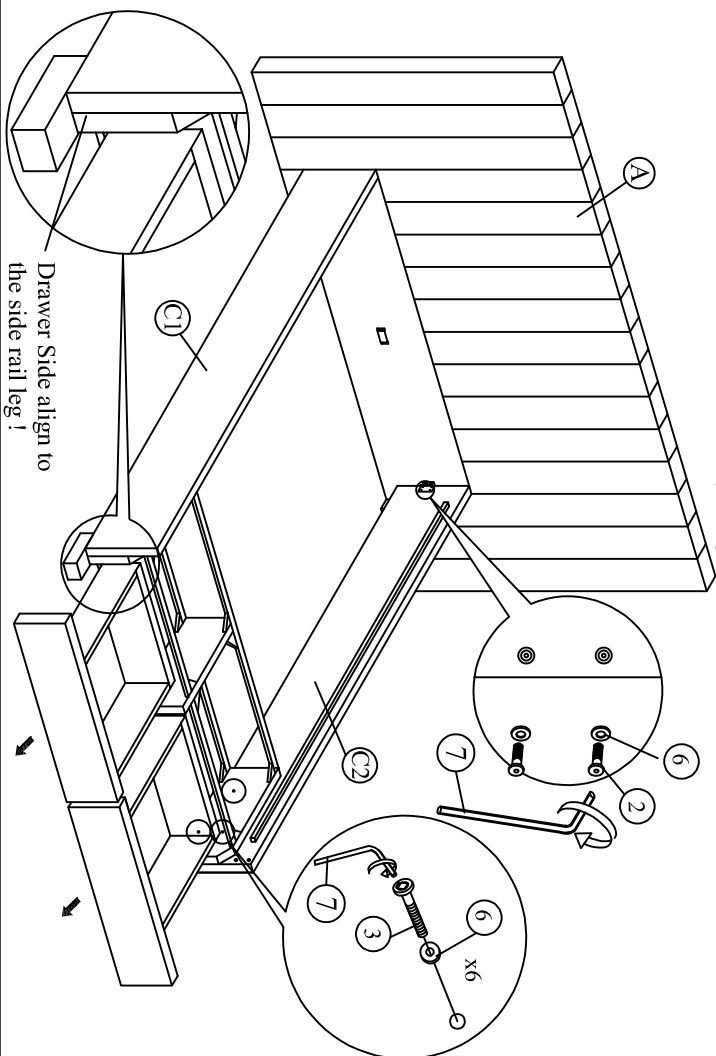
Step 2 Marking on the wooden



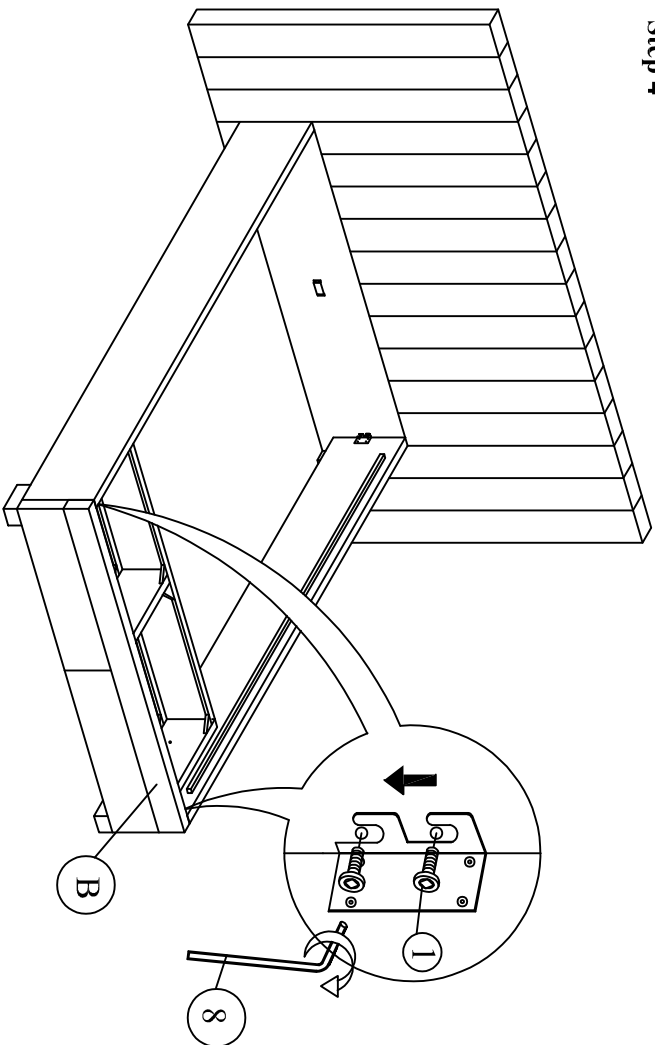
Step 3



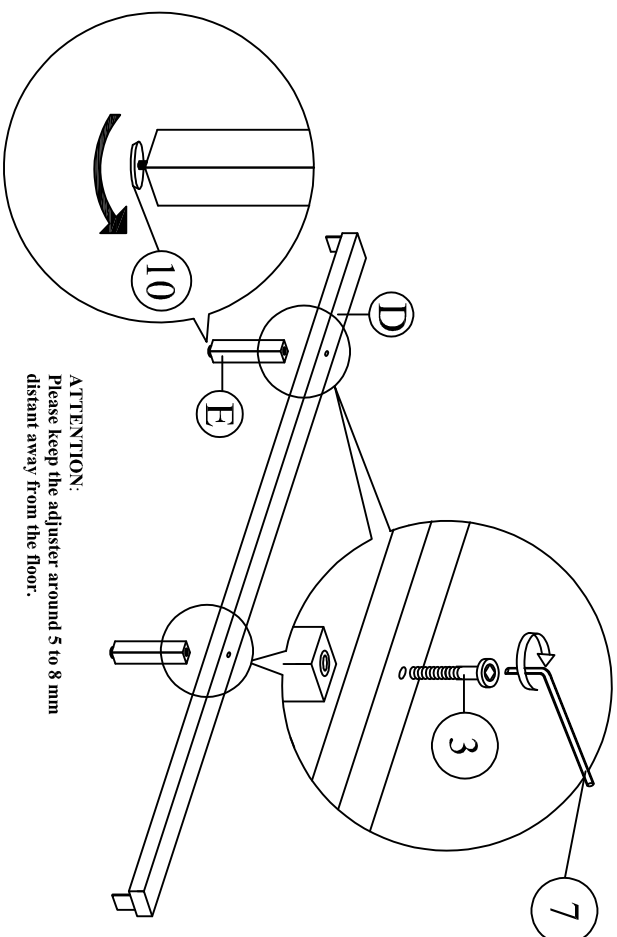
3.1 Open the drawer out till its built-in stopping point
 3.2 Put the drawer frame on the side rail leg. Make sure the drawer side align to the side rail end.
 3.3 Attach the drawer frame to the side rails by using the JCBC and Flat Washers.



Step 4

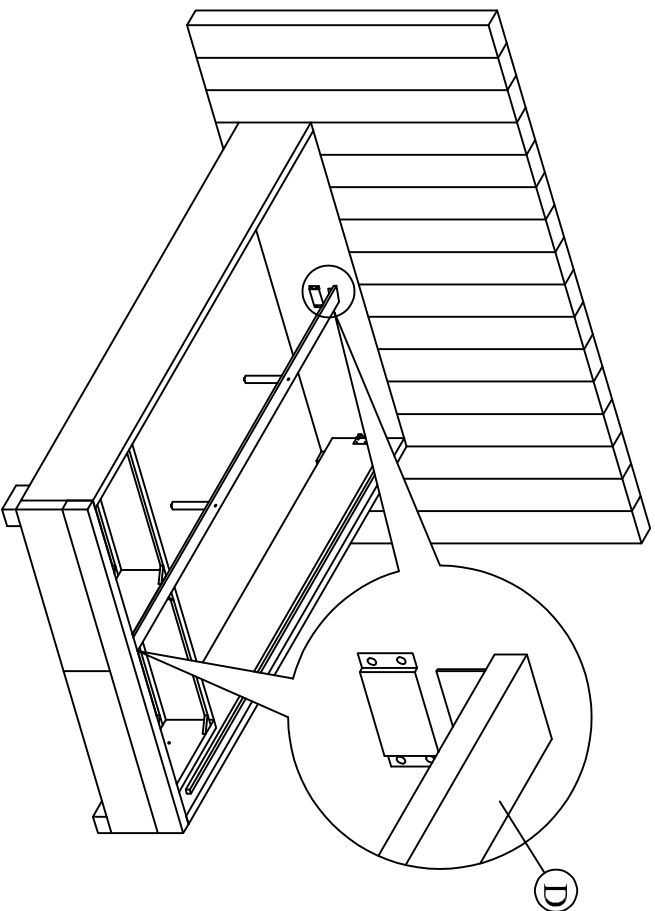


Step 5



ATTENTION:
Please keep the adjuster around 5 to 8 mm
distant away from the floor.

Step 6



Step 7

