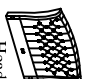
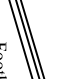



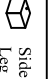









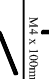
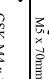

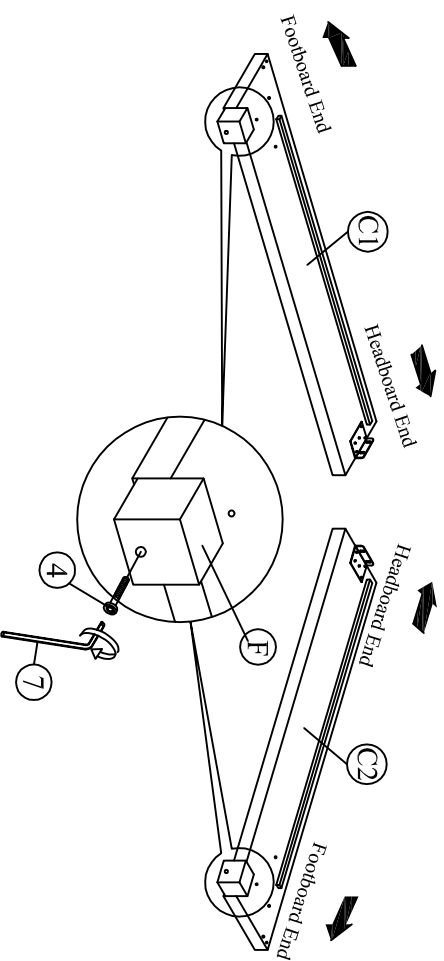


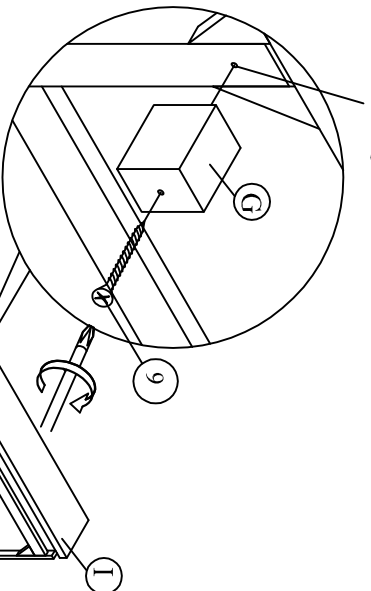
A		Headboard	1 pc
B		Footboard	1 pc
C		Side Rail	2 pcs
D		Center Rail	1 pc
E		Support Leg	2 pcs
F		Side Rail Leg	2 pcs
G		Drawer Leg	2 pcs
H		16 Slot	1 pc
I		Footboard Drawer	1 pc
<b>CF 9032-L</b>			
1		JCBB M8 X 20	4 pcs
2		JCBB M6 X 30	4 pcs
3		JCRC M6 X 40	8 pcs
4		JCRC M6 X 50	2 pcs
5		Adjuster	2 pcs
6		Micro Flat Washer	10 pcs
7		M4 x 100mm	1 pc
8		M5 x 70mm	1 pc
9		CSK M4 x 32mm	37 pcs

**Step 1**

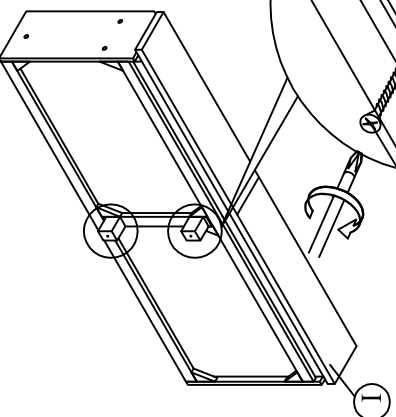


**Step 2**

Marking on the wooden

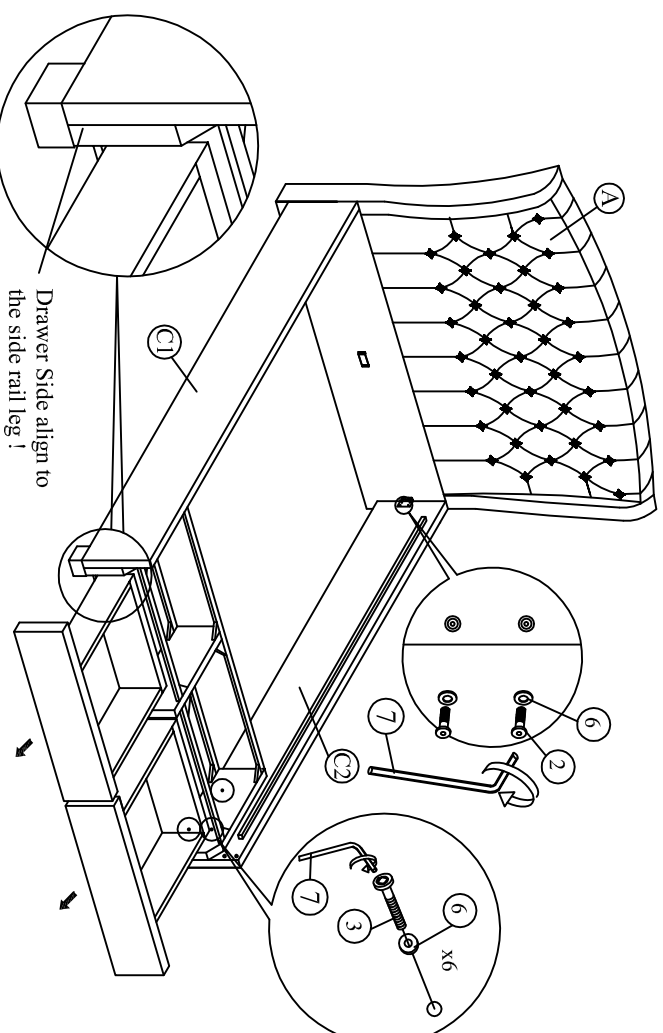


**Bottom View !!**

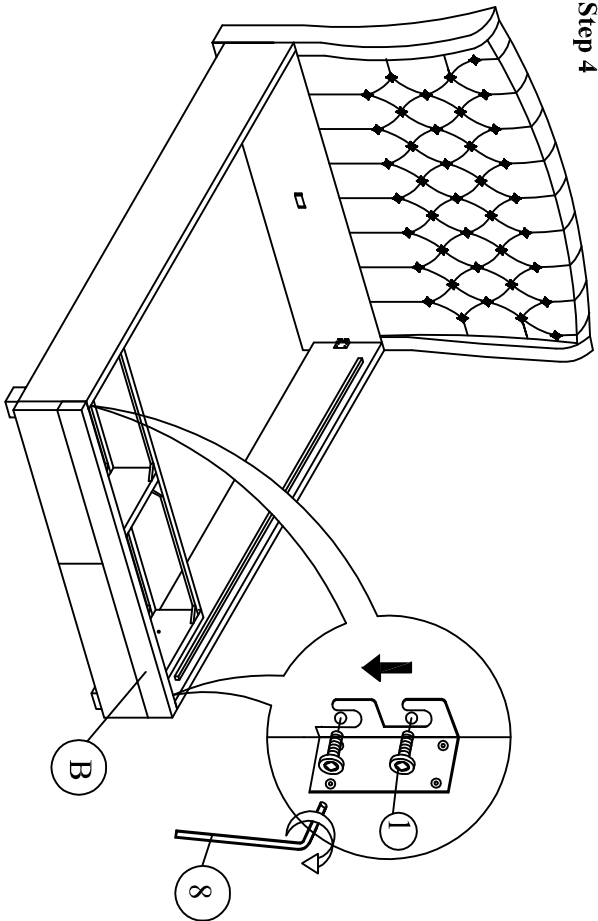


**Step 3**

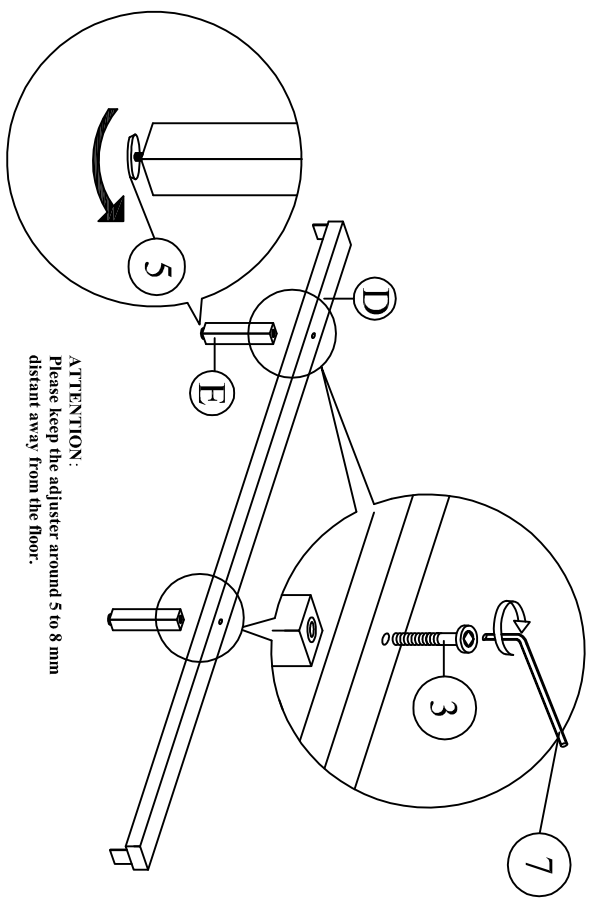
- 3.1 Open the drawer out till its built-in stopping point
- 3.2 Put the drawer frame on the side rail leg. Make sure the drawer side align to the side rail end.
- 3.3 Attach the drawer frame to the side rails by using the JCBC and Flat Washers.



Step 4

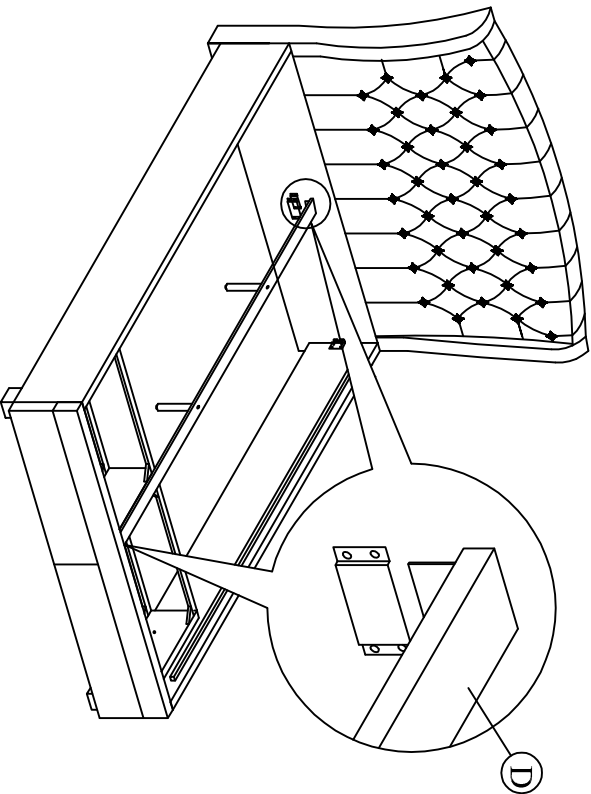


Step 5



**ATTENTION:**  
Please keep the adjuster around 5 to 8 mm  
distant away from the floor.

Step 6



Step 7

