

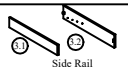










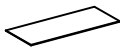





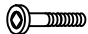
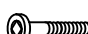

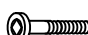




MODEL : CF 9442-D 5'


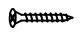





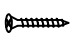
Parts List

Parts	Description	Qty
1	Headboard 	1
2	Footboard 	1
3	Side Rail 	2
4	Side Rail Legs Wooden 115 x 70 x 50(H) 	2
5	Metal Centre Rail 2040mm 	1
6	Wooden Centre Rail 1490mm 	1
7	Support Leg 65mm 	2
8	Pump Mounting Bracket 	2

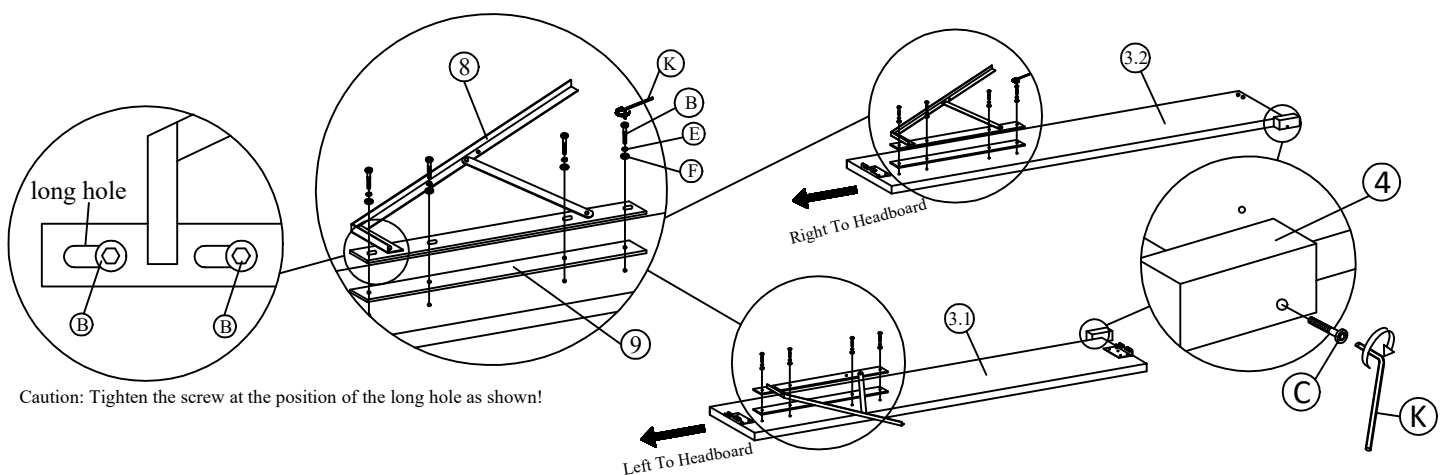
Parts	Description	Qty
9	Bracket Base 	2
10	Gas Spring 	2
11	Wooden Frame Bracket 	2
12	Wooden Frame (holes are not the same) 	1
13	Wooden Frame (holes are not the same) 	1
14	Bottom Panel 	3
15	Drawer Legs Wooden 35 x 45 x 50(H) 	2
16	Footboard Drawer 	1
17	Side Wing 	2

Hardware List

Parts	Description	Qty
A	M6 x 30 mm JCBC 	8
B	M6 x 40 mm JCBC 	16
C	M6 x 50 mm JCBC 	6
D	M8 x 60 mm JCBC 	8
E	M6 Spring Washer 	16
F	M6 Flat Washer 	26
G	M8 Spring Washer 	16
H	M8 Flat Washer 	16

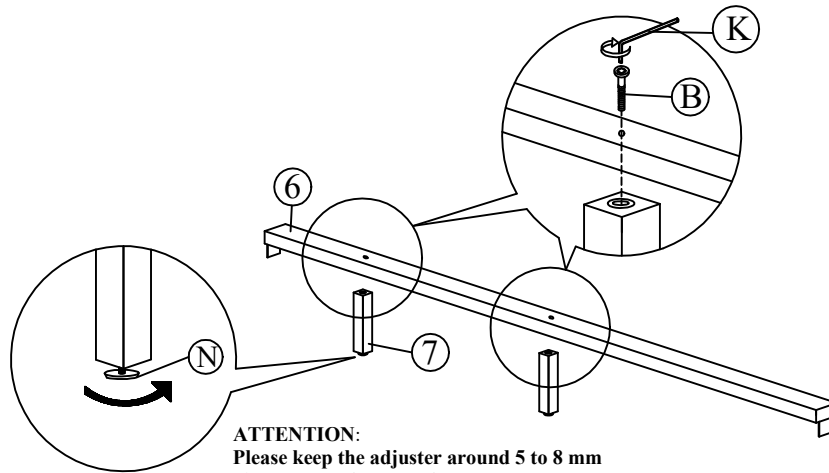
Parts	Description	Qty
I	M8 Hex Nut 	8
J	M4 x 25 mm CSK 	8
K	Allen Key M4 x 100 mm 	1
L	Allen Key M5 x 70 mm 	1
M	M8 Spanner 	1
N	Small Adjuster 	2
O	M8 x 20 mm JCBB 	4
P	M4 x 32 mm CSK 	2

Step 1 : Attach the pump mounting bracket (8) and bracket base (9) to the both side rail (3) using hardware parts B, E, F and K. Attach the legs (4) to the footboard (3) using hardware parts (C) and (K).

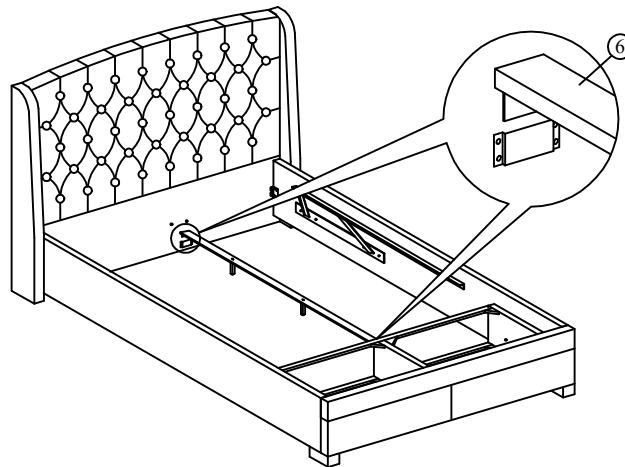


Assembly Instruction

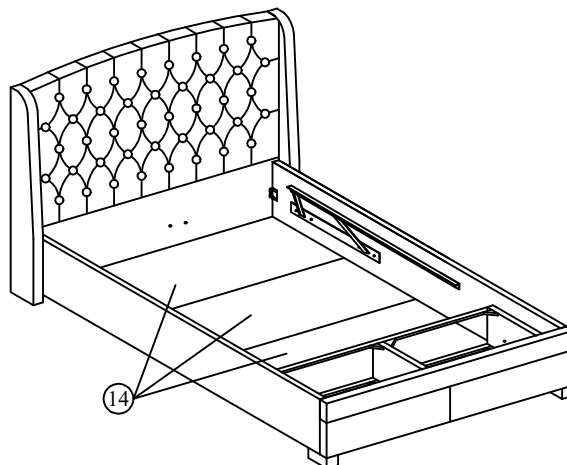
Step 5 : Attach the support legs (7) to the centre rail (6) using hardware parts B and K.



Step 6 : Insert the centre rail (6) to the headboard (1) and footboard (2).

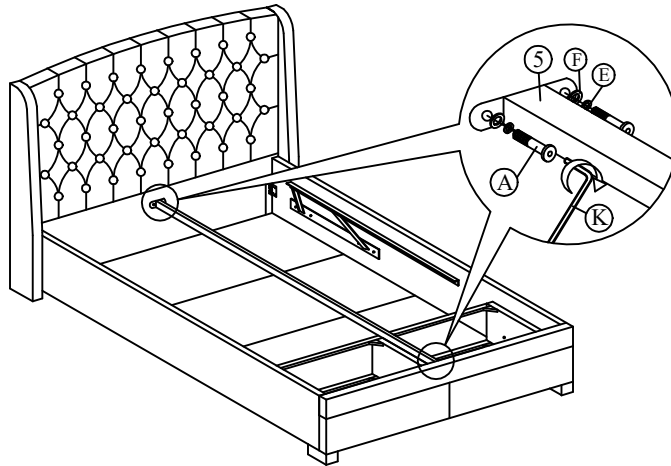


Step 7 : Insert the bottom panel (14) to the below frame.

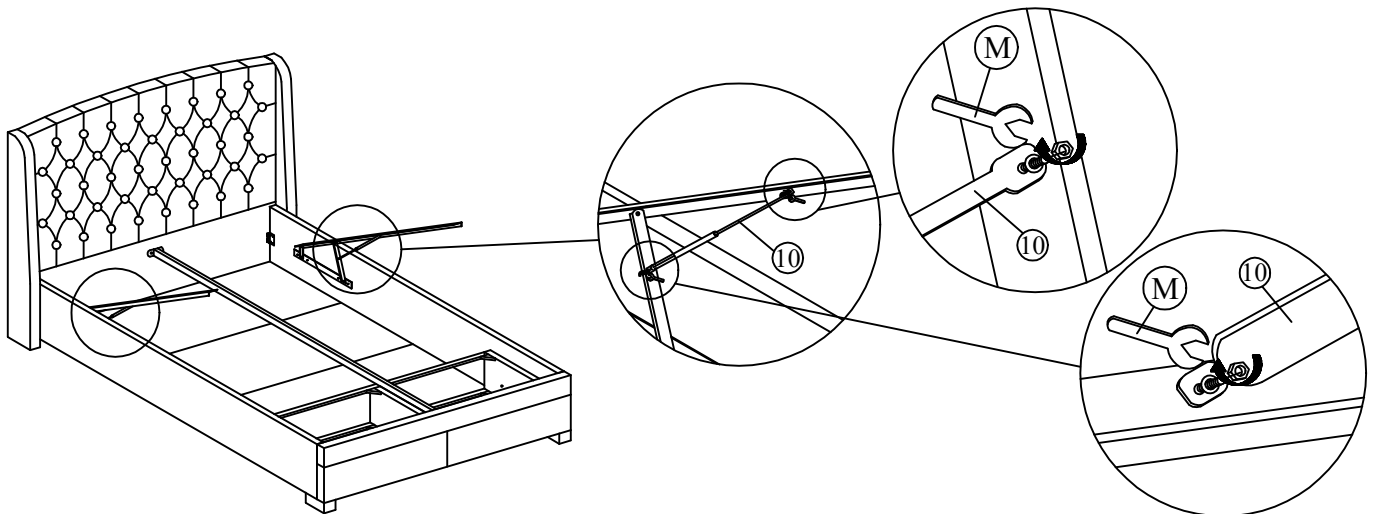


Assembly Instruction

Step 8 : Insert the centre rail (5) to the headend (1) and footend (2) and secure using hardware part A and K.

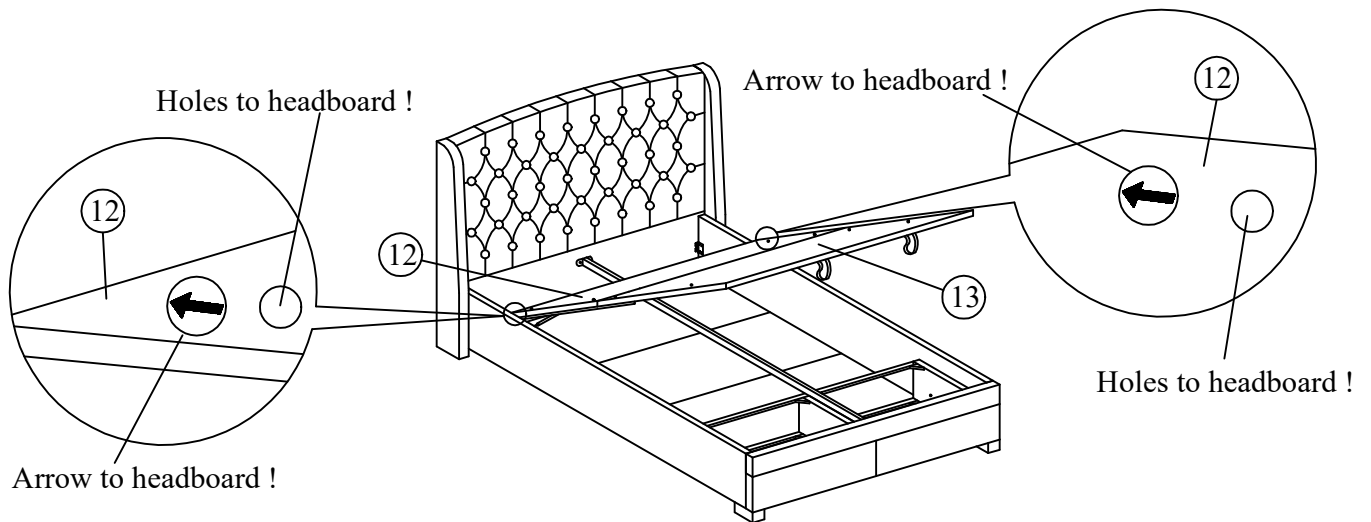


Step 9 : Unscrew the Pre-attached hex-nut of gas spring (10) and attach it back again as shown. Please fully tighten the nut.

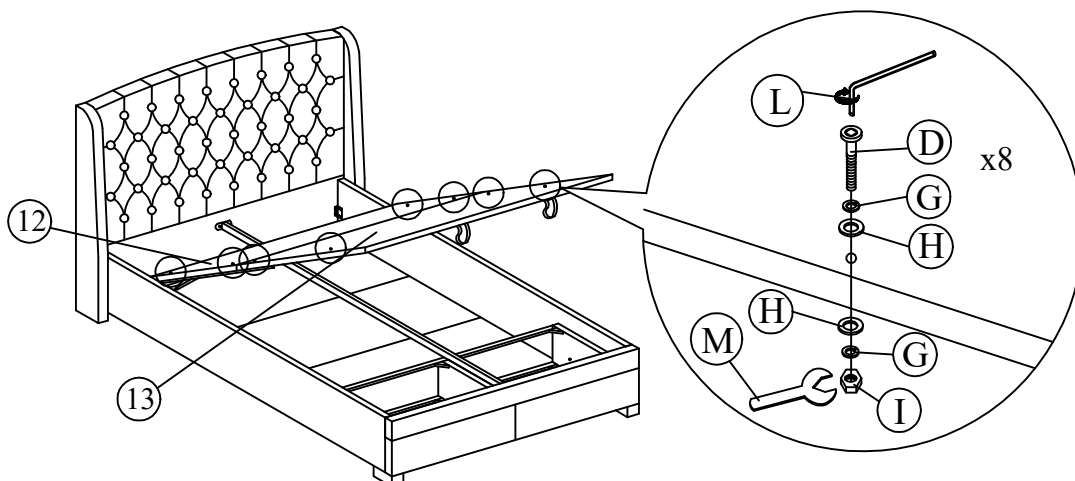


Assembly Instruction

Step 10 : Must place the wooden frame (12 & 13) in correct position (please follow the position as shown in diagram).



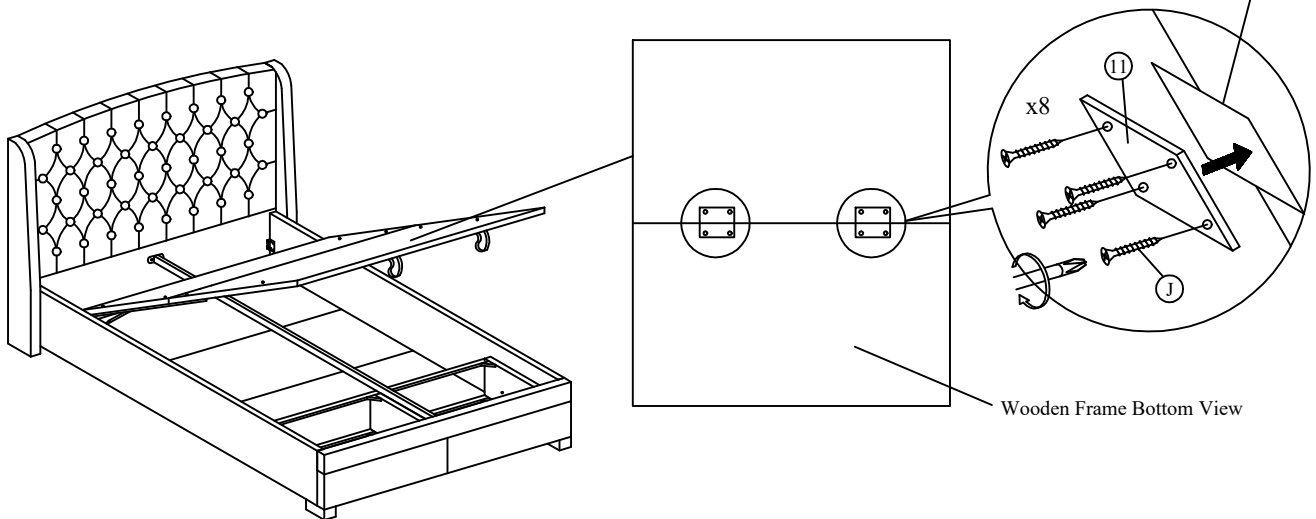
Step 11 : Assembly the wooden frame (12) and wooden frame (13) to the bracket and tighten all the fitting accordingly.



Assembly Instruction

Step 12 : Attach the wooden frame bracket (11) to the wooden frame using hardware parts J and a screwdriver (not provided).

Please follow the marking and attach the bracket accordingly



Step 13 : Please use the safety lock for safety purpose.

