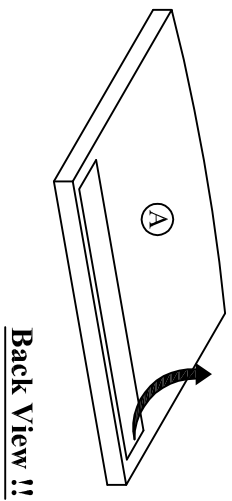


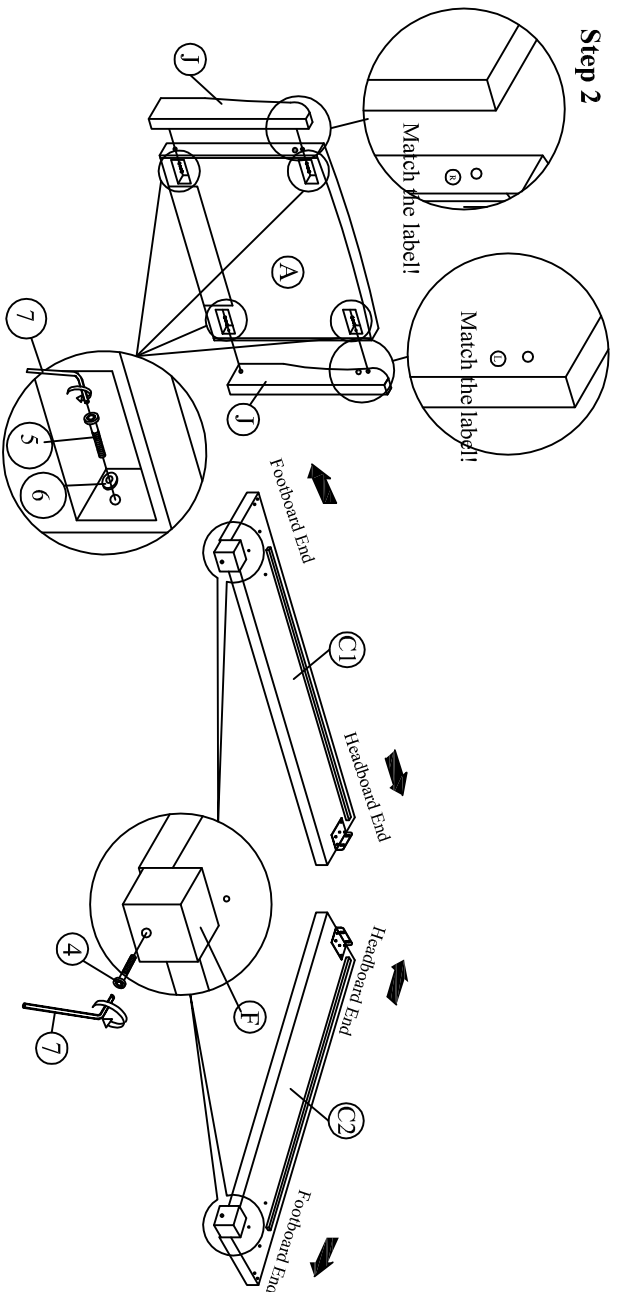
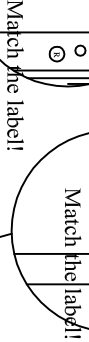
A	Headboard	1 pc
B	Footboard	1 pc
C	Side Rail	2 pcs
D	Center Rail	1 pc
E	Support Leg	2 pcs
F	Side Rail Leg	2 pcs
G	Drawer Leg	2 pcs
H	15 Slot	1 pc
I	Footboard Drawer	1 pc
J	Side Wing	2 pcs
HARDWARE		
1	JCBC M8 X 20	4 pcs
2	JCBC M6 X 30	4 pcs
3	JCBC M6 X 40	8 pcs
4	JCBC M6 X 50	2 pcs
5	JCBC M6 X 60	4 pcs
6	M6 Flat Washer	14 pcs
7	M4 x 100mm	1 pc
8	M5 x 70mm	1 pc
9	CSK M4 x 32mm	35 pcs
10	Adjuster	2 pcs

Step 1

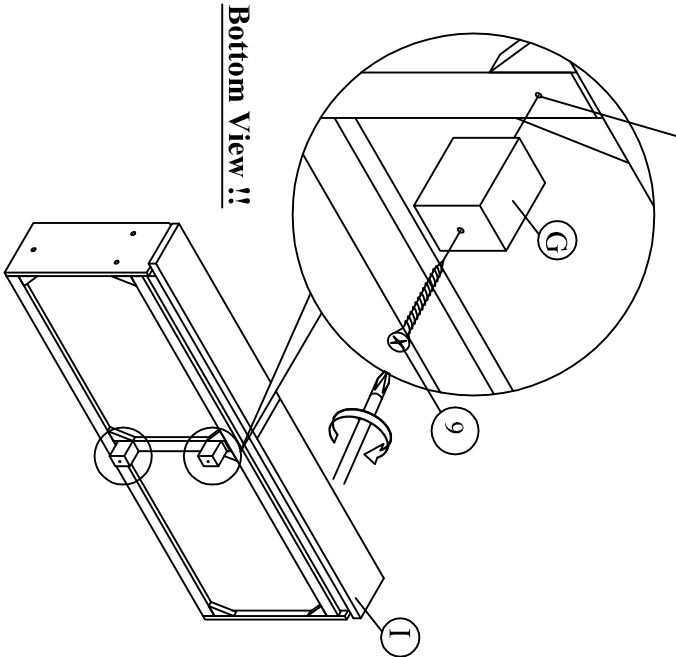
Attention: Please take out the Side Wing from the Headboard back !!



Step 2

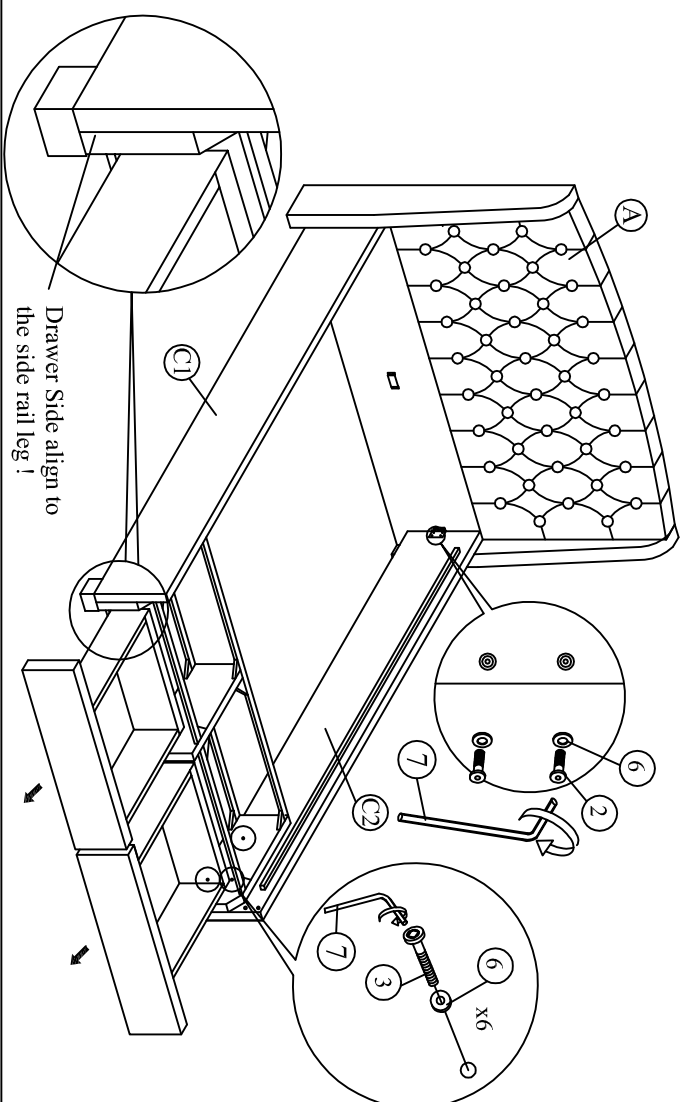


Step 3 Marking on the wooden

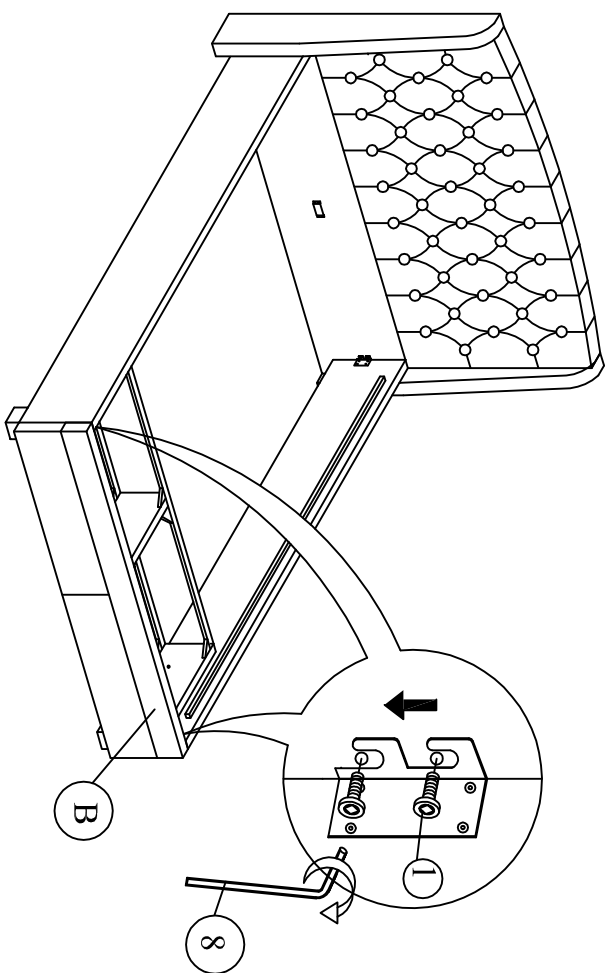


Step 4

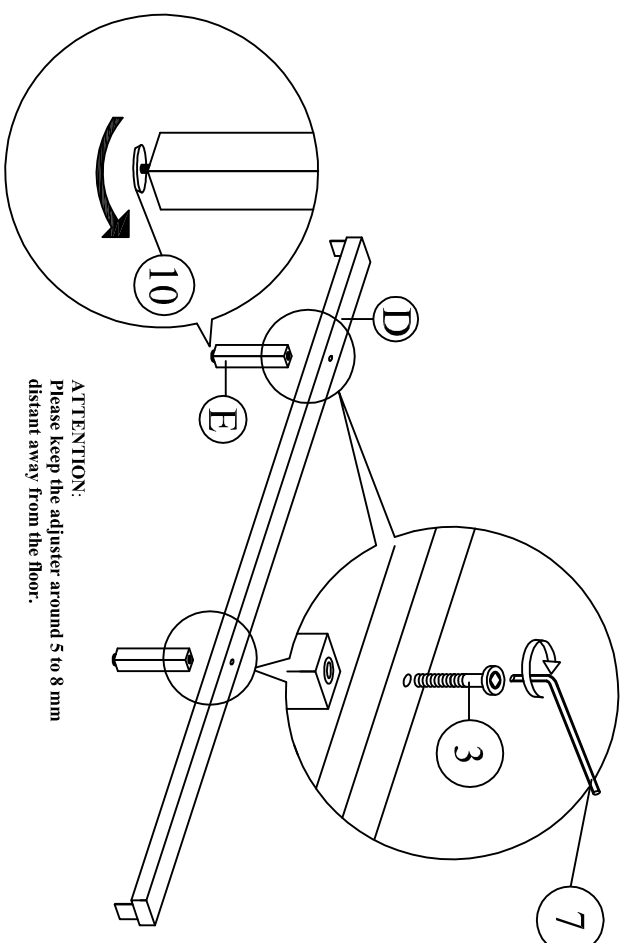
4.1 Open the drawer out till its built-in stopping point
 4.2 Put the drawer frame on the side rail leg. Make sure the drawer side align to the side rail end.
 4.3 Attach the drawer frame to the side rails by using the JCBC and Flat Washers.



Step 5

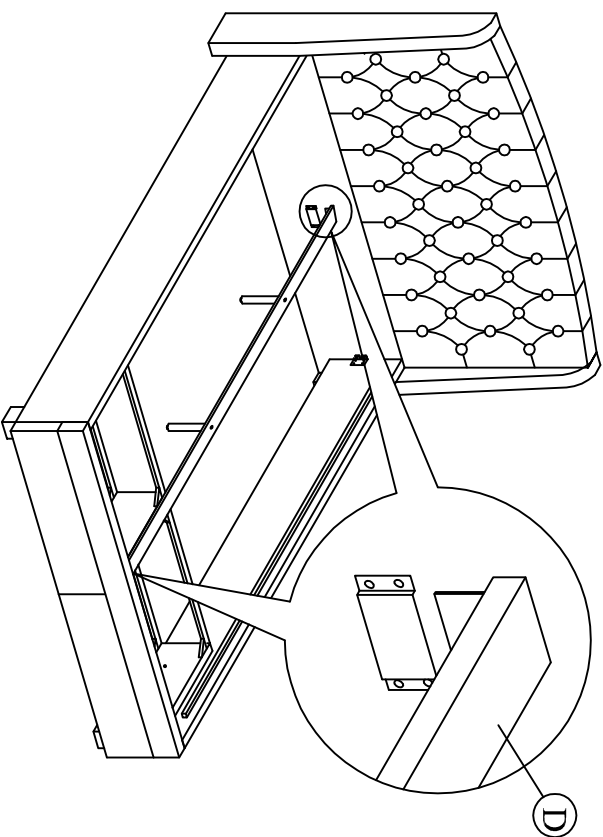


Step 6

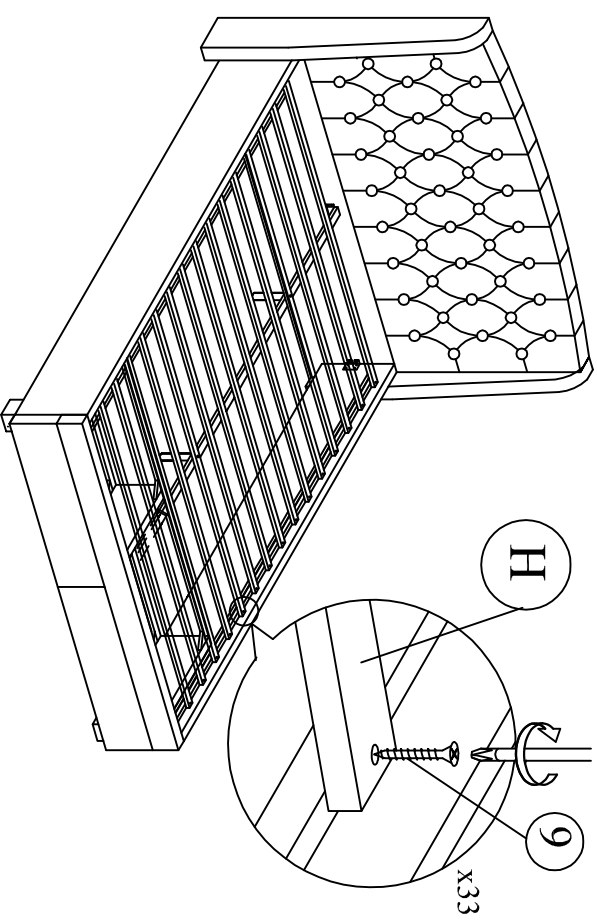


ATTENTION:
Please keep the adjuster around 5 to 8 mm
distant away from the floor.

Step 7



Step 8



x33