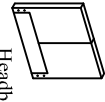

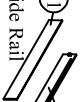
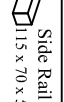
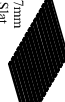






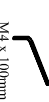
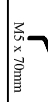

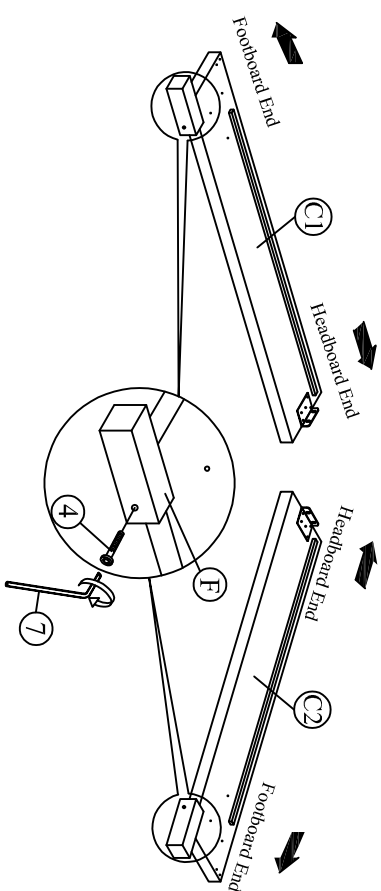


A		1 pc
B		1 pc
C		2 pcs
D		2 pcs
E		1 pc
F		1 pc

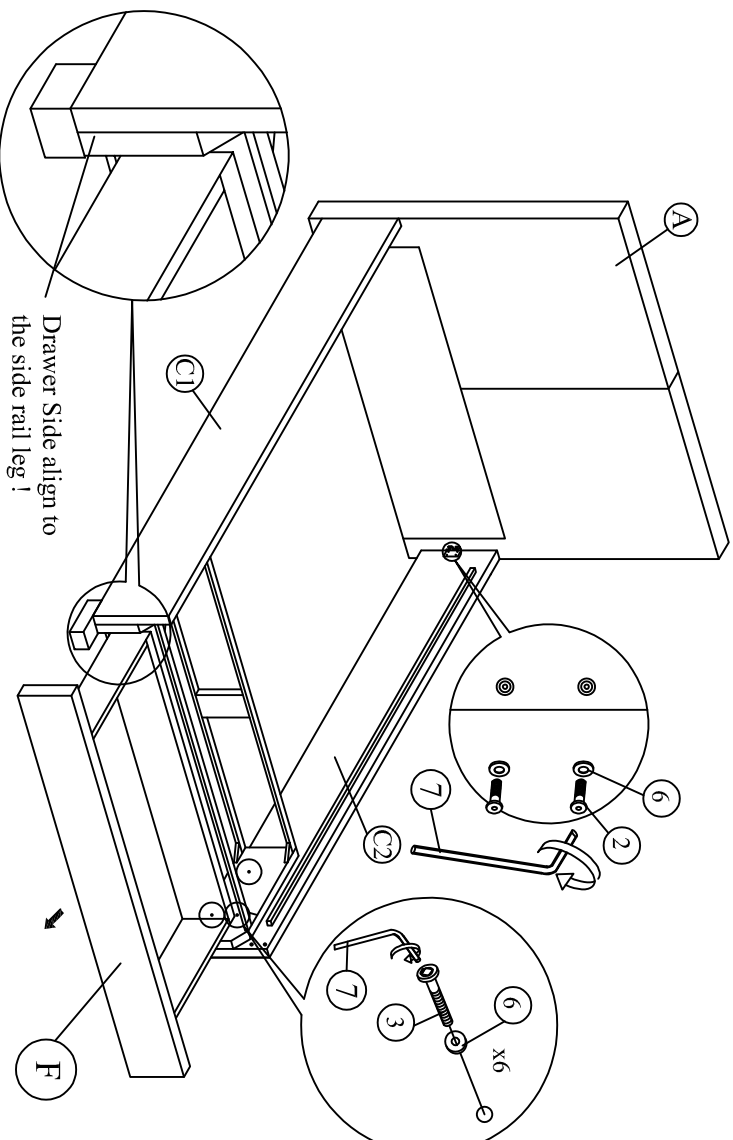
HARDWARE		
1		4 pcs
2		4 pcs
3		6 pcs
4		2 pcs
5		30 pcs
6		10 pcs
7		1 pc
8		1 pc

Step 1

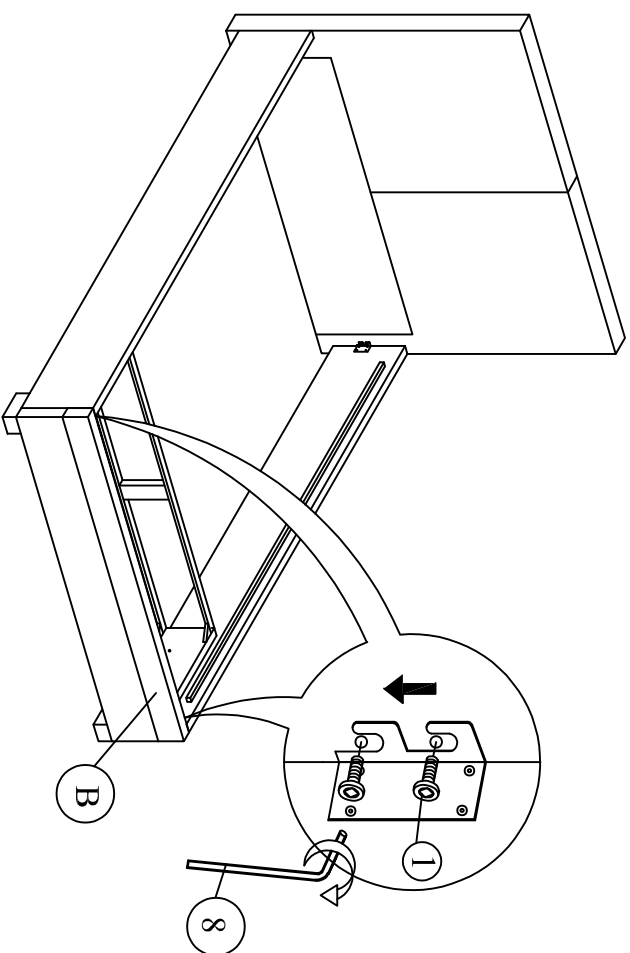


Step 2

- 2.1 Open the drawer out till its built-in stopping point
- 2.2 Put the drawer frame on the side rail leg. Make sure the drawer side align to the side rail end.
- 2.3 Attach the drawer frame to the side rails by using the JCBC and Flat Washers.



Step 3



Step 4

