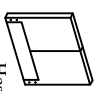

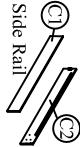


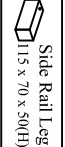
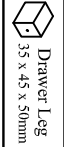




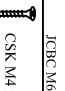

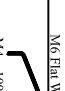
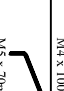
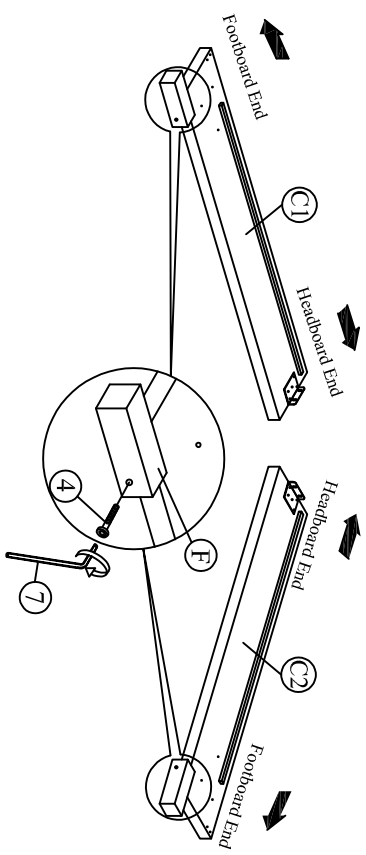


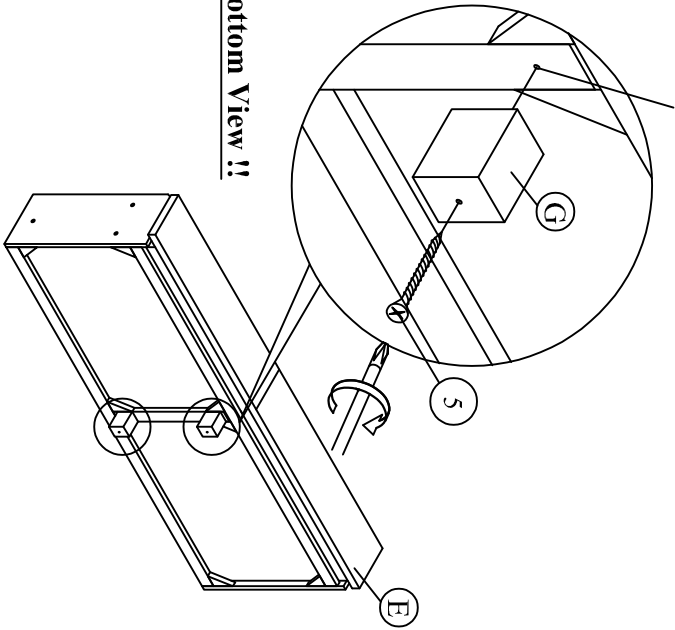
A		1 pc
B		1 pc
C		2 pcs
D		1 pc
E		1 pc
F		2 pcs
G		2 pcs
HARDWARE		
1		4 pcs
2		4 pcs
3		6 pcs
4		2 pcs
5		34 pcs
6		10 pcs
7		1 pc
8		1 pc

Step 1



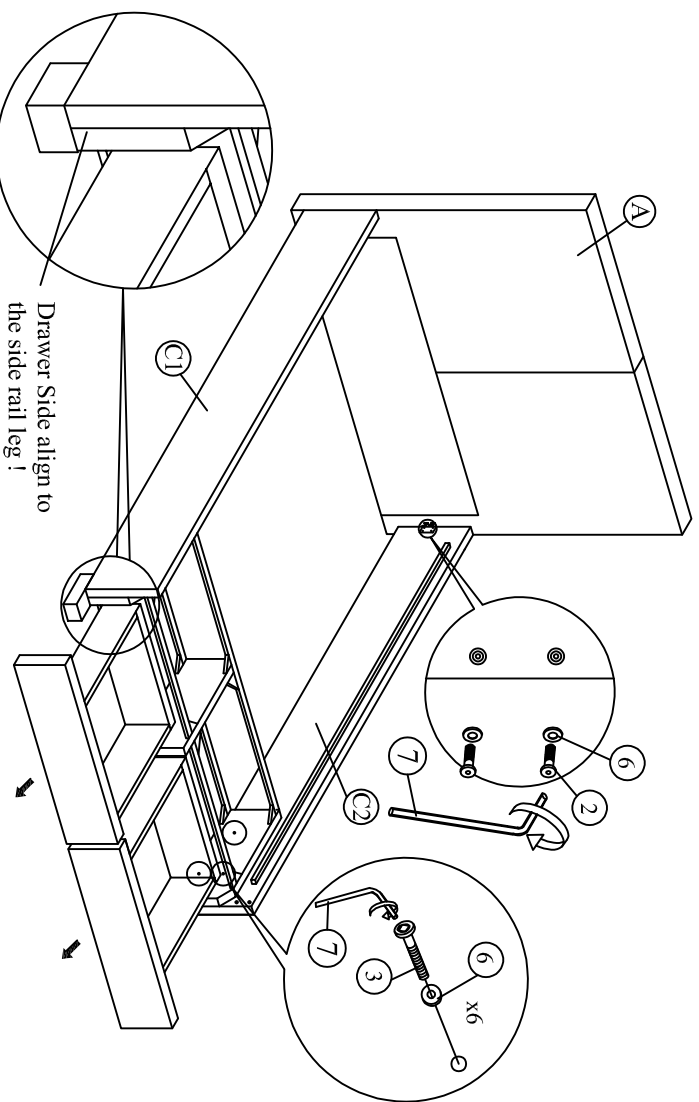
Step 2

Marking on the wooden



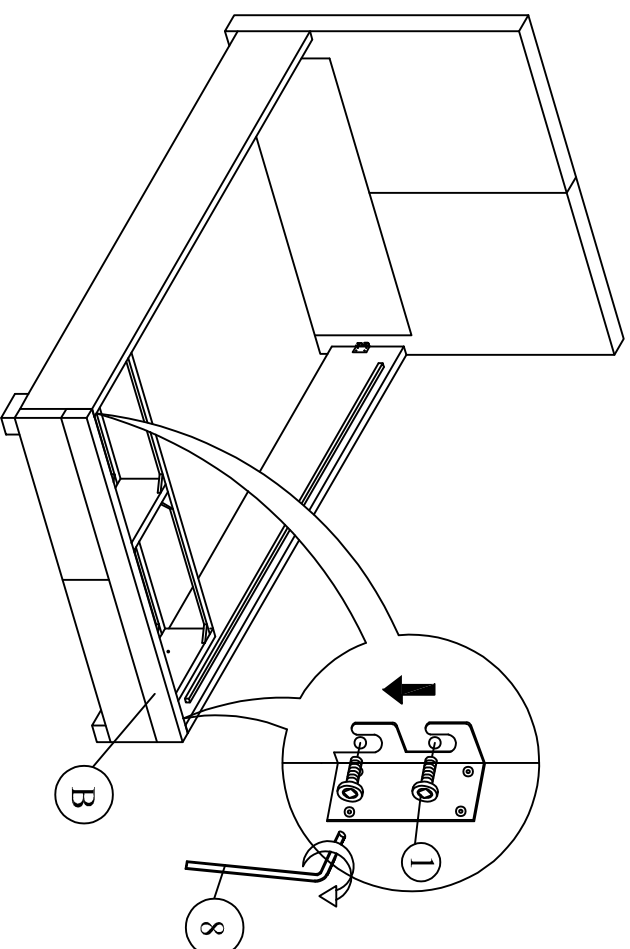
Step 3

- 3.1 Open the drawer out till its built-in stopping point
- 3.2 Put the drawer frame on the side rail leg. Make sure the drawer side align to the side rail end.
- 3.3 Attach the drawer frame to the side rails by using the JCBC and Flat Washers.



Drawer Side align to the side rail leg !

Step 4



Step 5

