

A	Headboard	1 pc
B	Footboard	1 pc
C	Side Rail	2 pcs
D	Center Rail	2 pcs
E	Support Leg	4 pcs
F	Side Rail Leg	2 pcs
G	Drawer Leg	2 pcs
H	1/6 Side	1 pc
I	Footboard Drawer	1 pc
J	Side Wing	2 pcs
HARDWARE		
1	JCBB M8 X 20	4 pcs
2	JCBB M6 X 30	4 pcs
3	JCBC M6 X 40	10 pcs
4	JCBC M6 X 50	2 pcs
5	JCBC M6 X 60	4 pcs
6	M6 Flat Washer	14 pcs
7	M4 X 100mm	1 pc
8	M5 X 70mm	1 pc
9	CSK M4 X 32mm	40 pcs
10	Adjuster	4 pcs

Step 1

Attention: Please take out the Side Wing from the Headboard back !!

Step 2

Match the label!!

Match the label!!

Headboard End

Footboard End

Headboard End

Footboard End

Step 3 Marking on the wooden

Bottom View !!

Step 4

4.1 Open the drawer out till its built-in stopping point

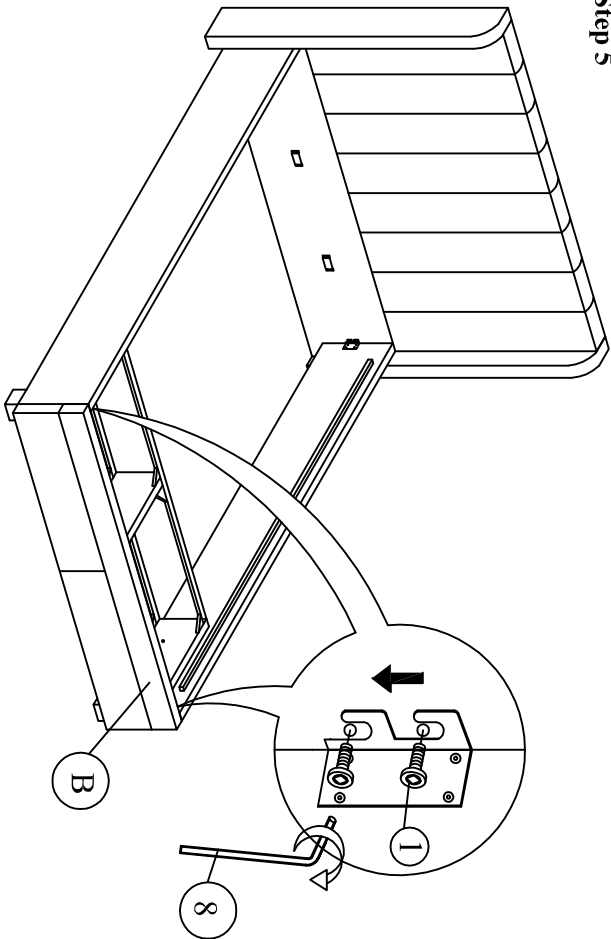
4.2 Put the drawer frame on the side rail leg. Make sure the drawer side align to the side rail end.

4.3 Attach the drawer frame to the side rails by using the JCBC and Flat Washers.

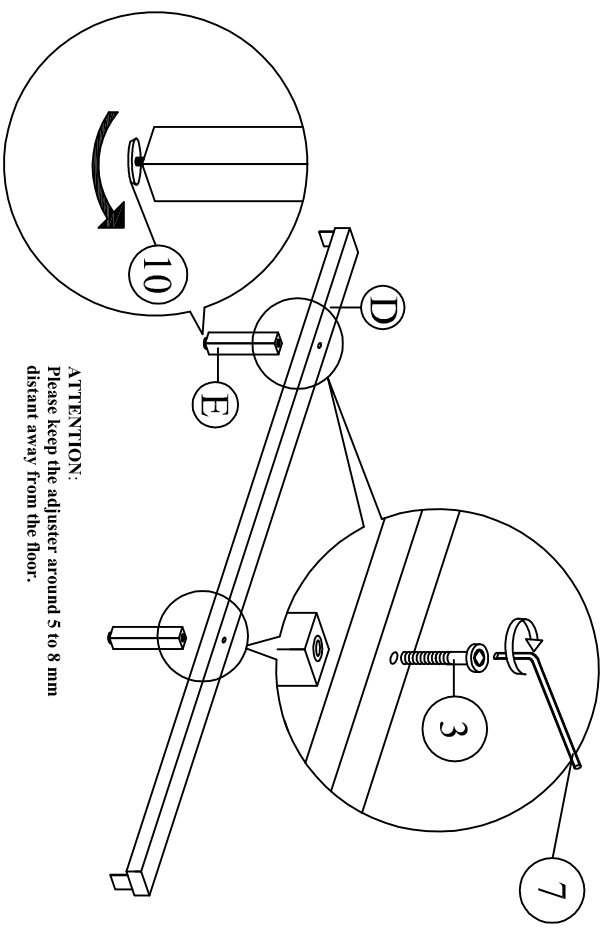
Drawer Side align to the side rail leg !

X6

Step 5

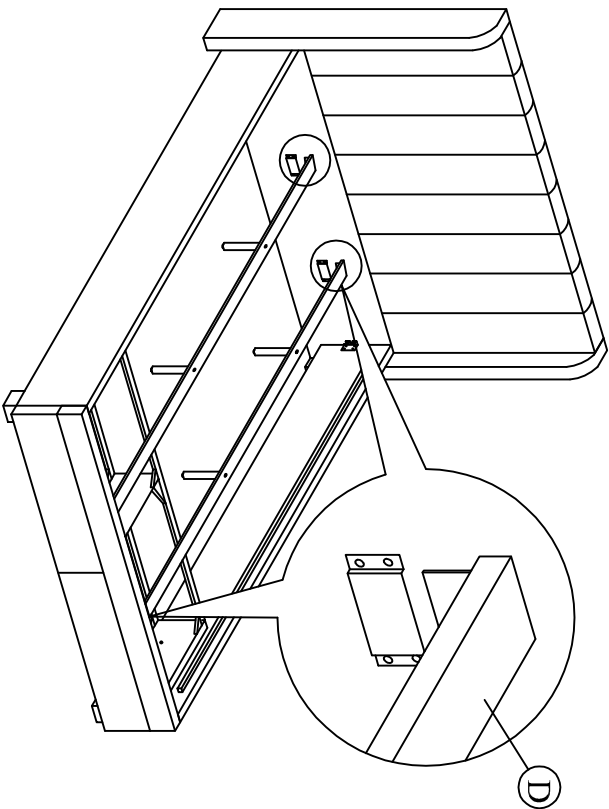


Step 6



ATTENTION:
Please keep the adjuster around 5 to 8 mm
distant away from the floor.

Step 7



Step 8

