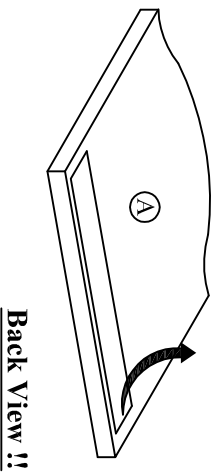


| | | |
|-----------------|-------------------|--------|
| A | Headboard | 1 pc |
| B | Footboard | 1 pc |
| C | Side Rail | 2 pcs |
| D | Center Rail | 1 pc |
| E | Support Leg | 2 pcs |
| F | Side Rail Leg | 2 pcs |
| G | Drawer Leg | 2 pcs |
| H | 16 Slot | 1 pc |
| I | Footboard Drawer | 1 pc |
| J | Side Wing | 2 pcs |
| HARDWARE | | |
| 1 | JCBB M8 X 20 | 4 pcs |
| 2 | JCBB M6 X 30 | 4 pcs |
| 3 | JCRC M6 X 40 | 8 pcs |
| 4 | JCRC M6 X 50 | 6 pcs |
| 5 | Adjuster | 2 pcs |
| 6 | Micro Flat Washer | 14 pcs |
| 7 | M4 X 100mm | 1 pc |
| 8 | M5 X 70mm | 1 pc |
| 9 | CSK M4 X 32mm | 37 pcs |

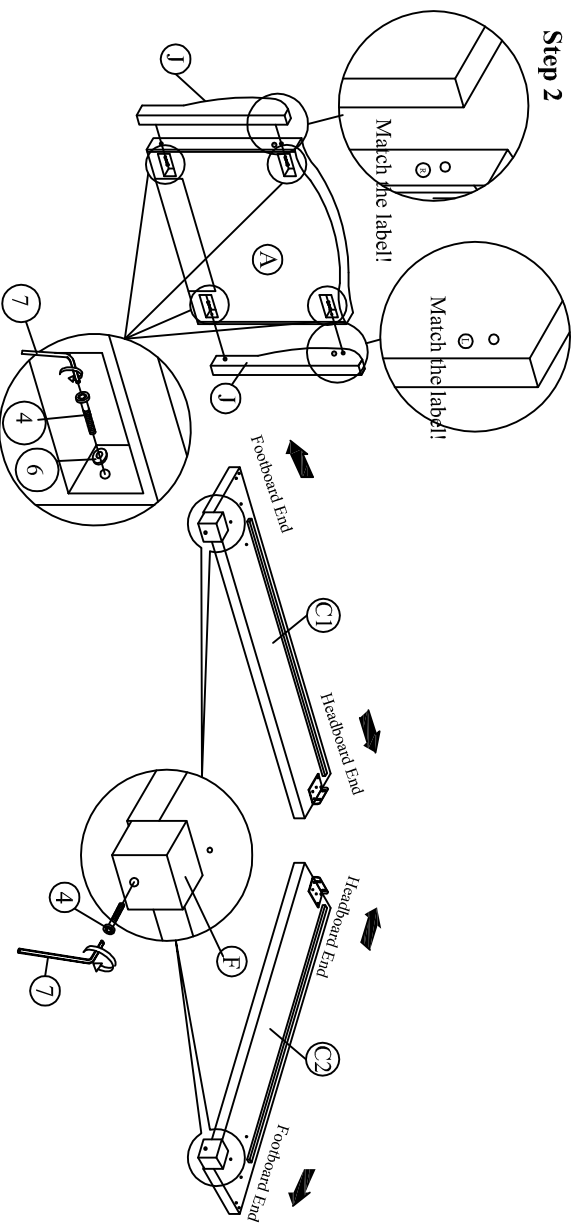
Step 1

Attention: Please take out the Side Wing from the Headboard back !!

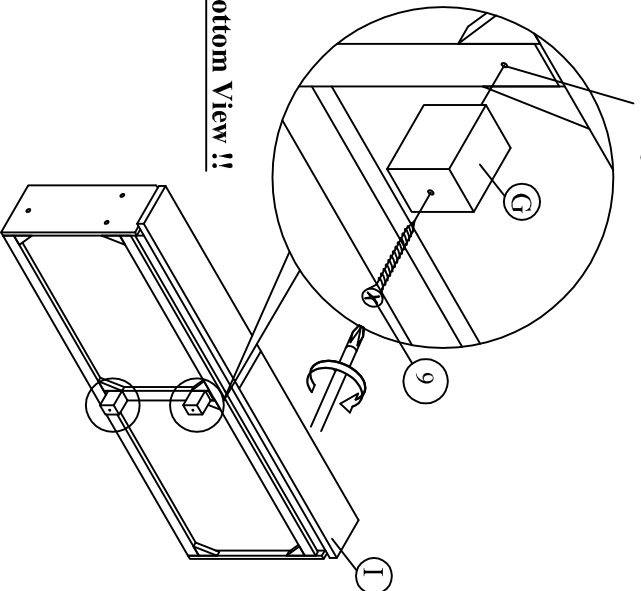


Back View !!

Step 2



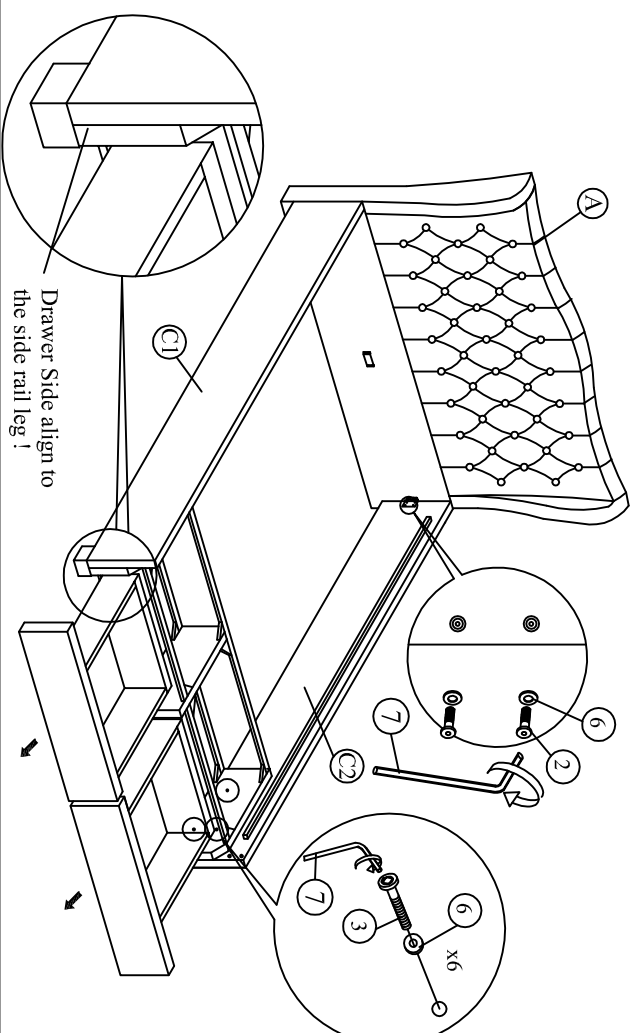
Step 3 Marking on the wooden



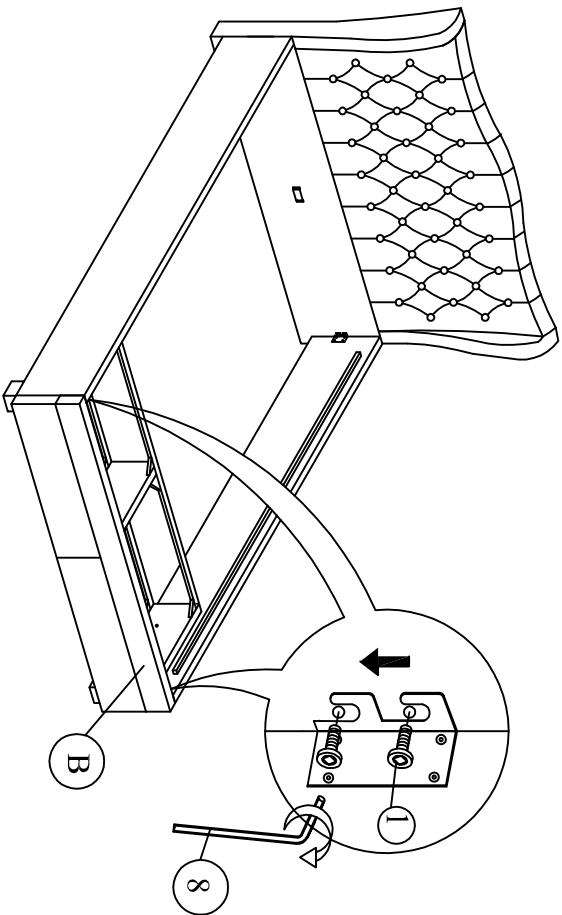
Bottom View !!

Step 4

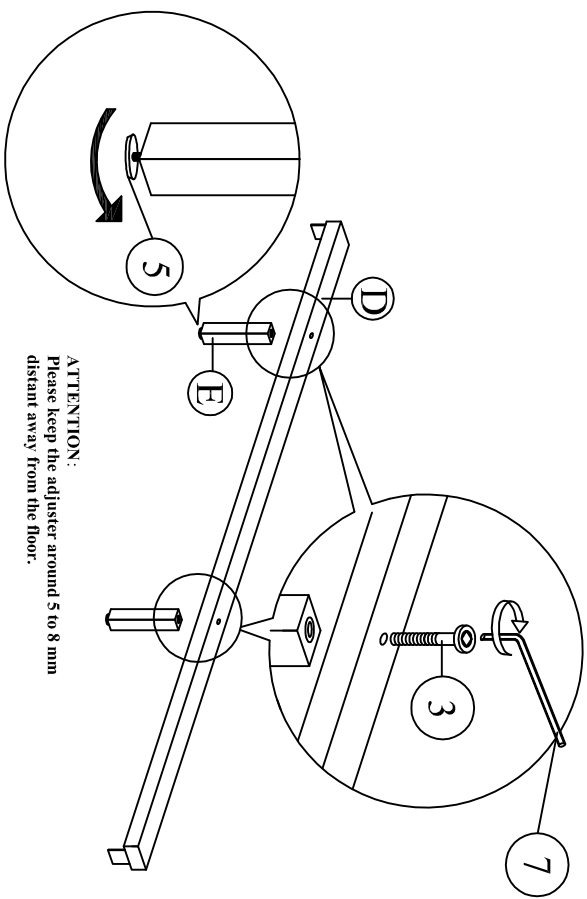
- 4.1 Open the drawer out till its built-in stopping point
- 4.2 Put the drawer frame on the side rail leg. Make sure the drawer side align to the side rail end.
- 4.3 Attach the drawer frame to the side rails by using the JCBC and Flat Washers.



Step 5

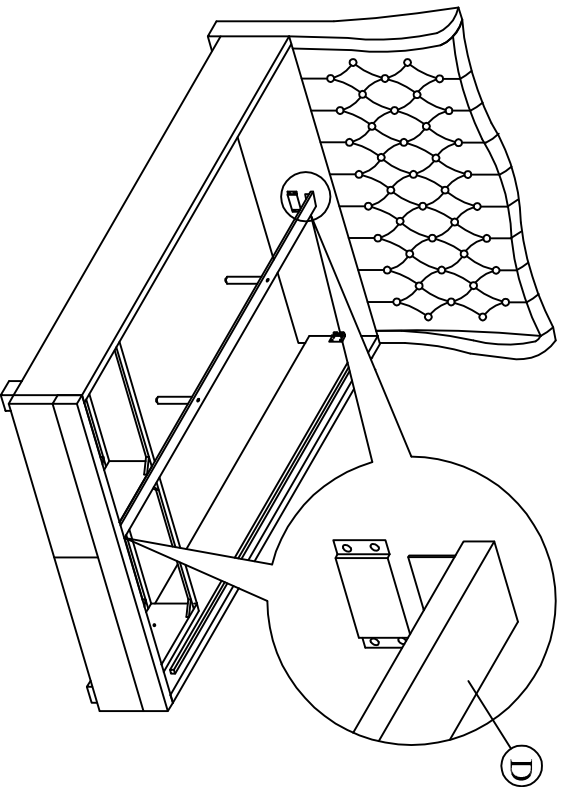


Step 6



ATTENTION:
Please keep the adjuster around 5 to 8 mm
distant away from the floor.

Step 7



Step 8

