
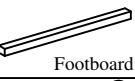

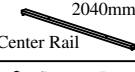
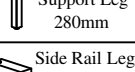
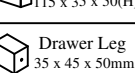
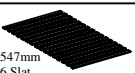



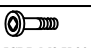
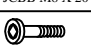
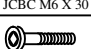

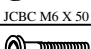


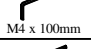
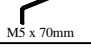
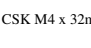


MODEL : CF 9408-M (5')

ASSEMBLY INSTRUCTION

A		1 pc
B		1 pc
C		2 pcs
D		1 pc
E		2 pcs
F		2 pcs
G		2 pcs
H		1 pc
I		1 pc
J		2 pcs

HARDWARE		
1		4 pcs
2		4 pcs
3		8 pcs
4		2 pcs
5		4 pcs
6		14 pcs
7		1 pc
8		1 pc
9		37 pcs
10		2 pcs

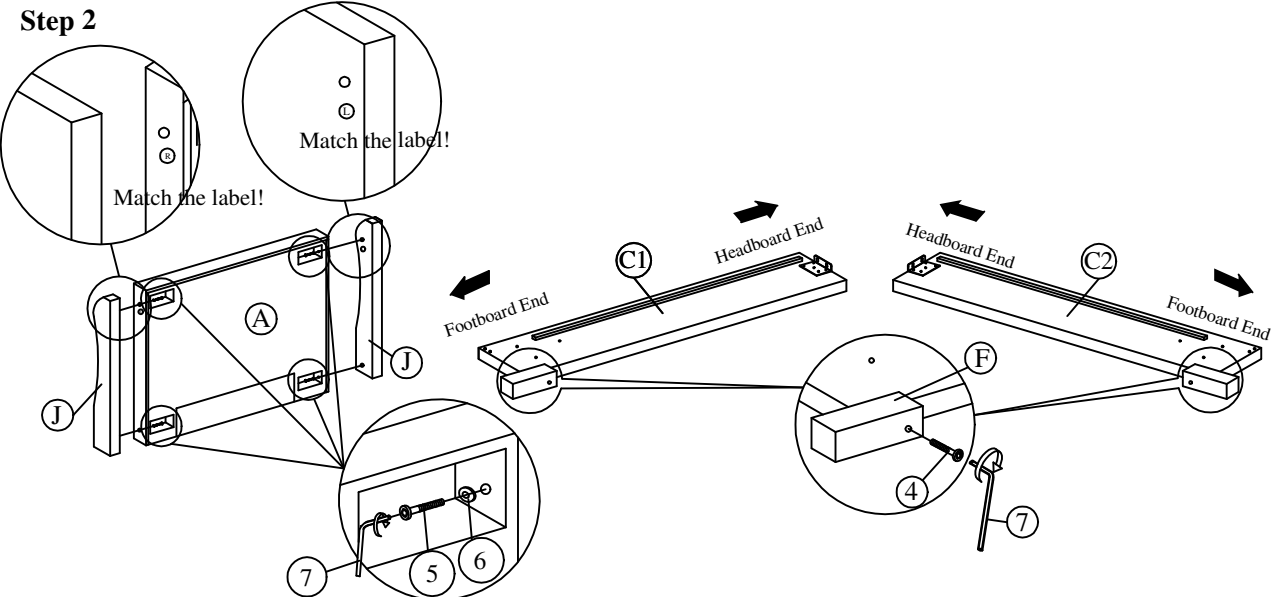
Step 1



Back View !!

Attention: Please take out the Side Wing from the Headboard back !!

Step 2



Match the label!

Match the label!

Headboard End

Footboard End

Headboard End

Footboard End

4

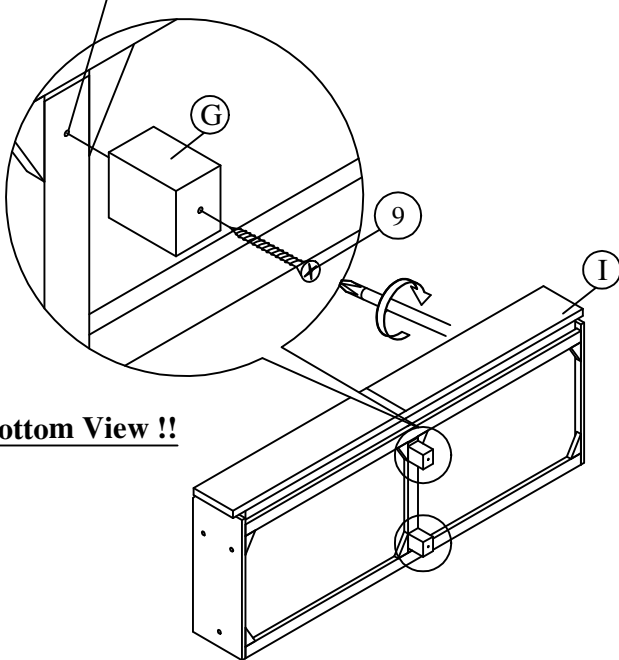
7

5

6

Step 3

Marking on the wooden



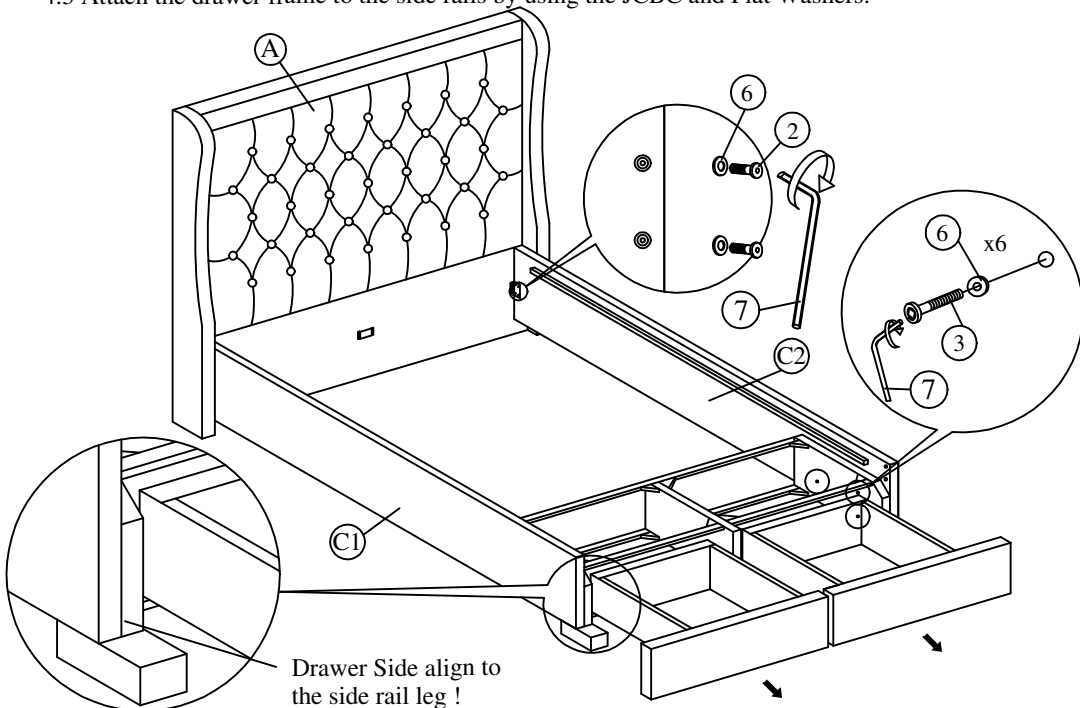
Bottom View !!

9

I

Step 4

- 4.1 Open the drawer out till its built-in stopping point
- 4.2 Put the drawer frame on the side rail leg. Make sure the drawer side align to the side rail end.
- 4.3 Attach the drawer frame to the side rails by using the JCBC and Flat Washers.



Drawer Side align to the side rail leg !

6

2

7

C2

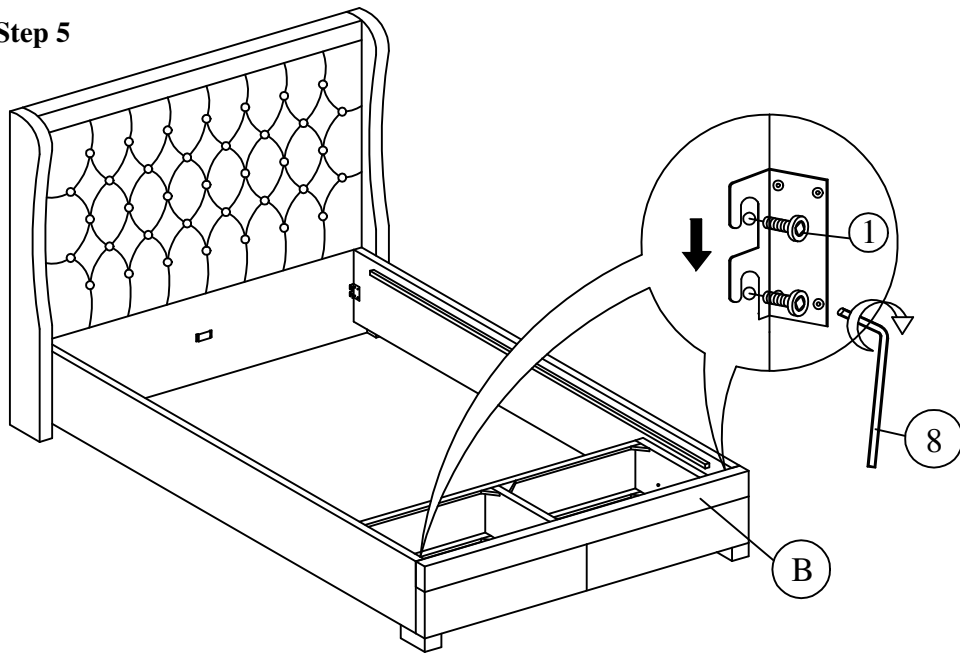
6 x6

3

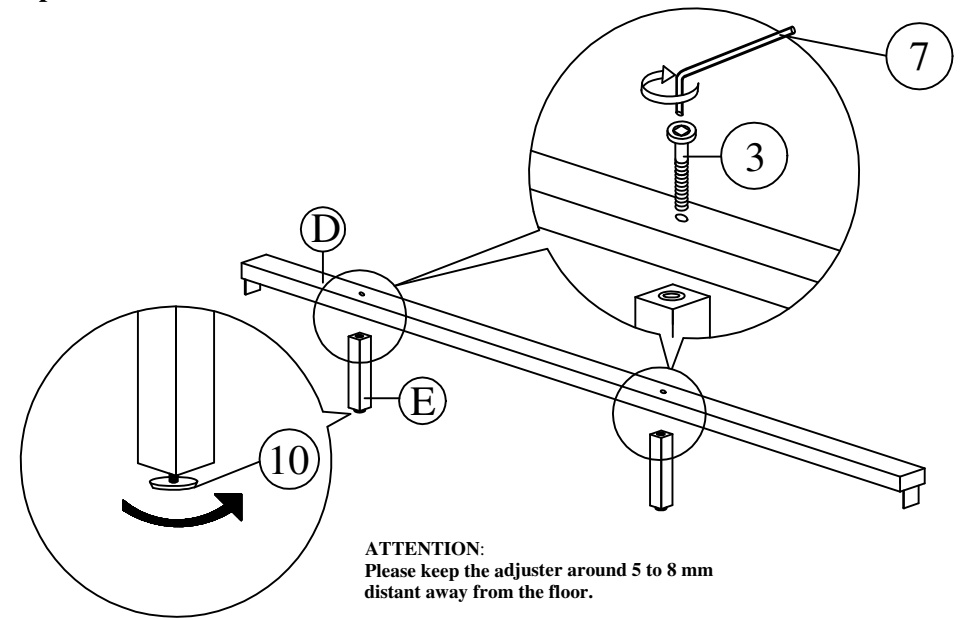
7

C1

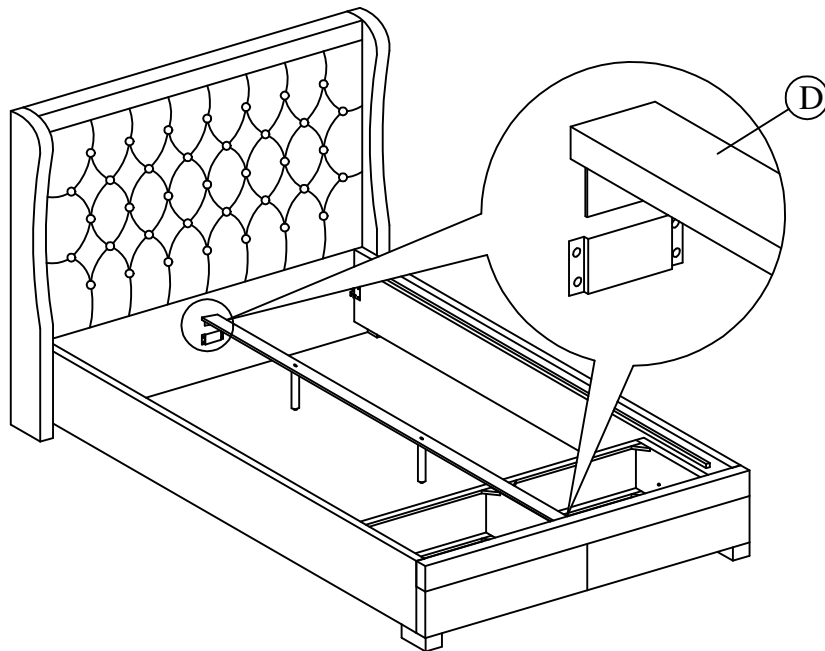
Step 5



Step 6



Step 7



Step 8

